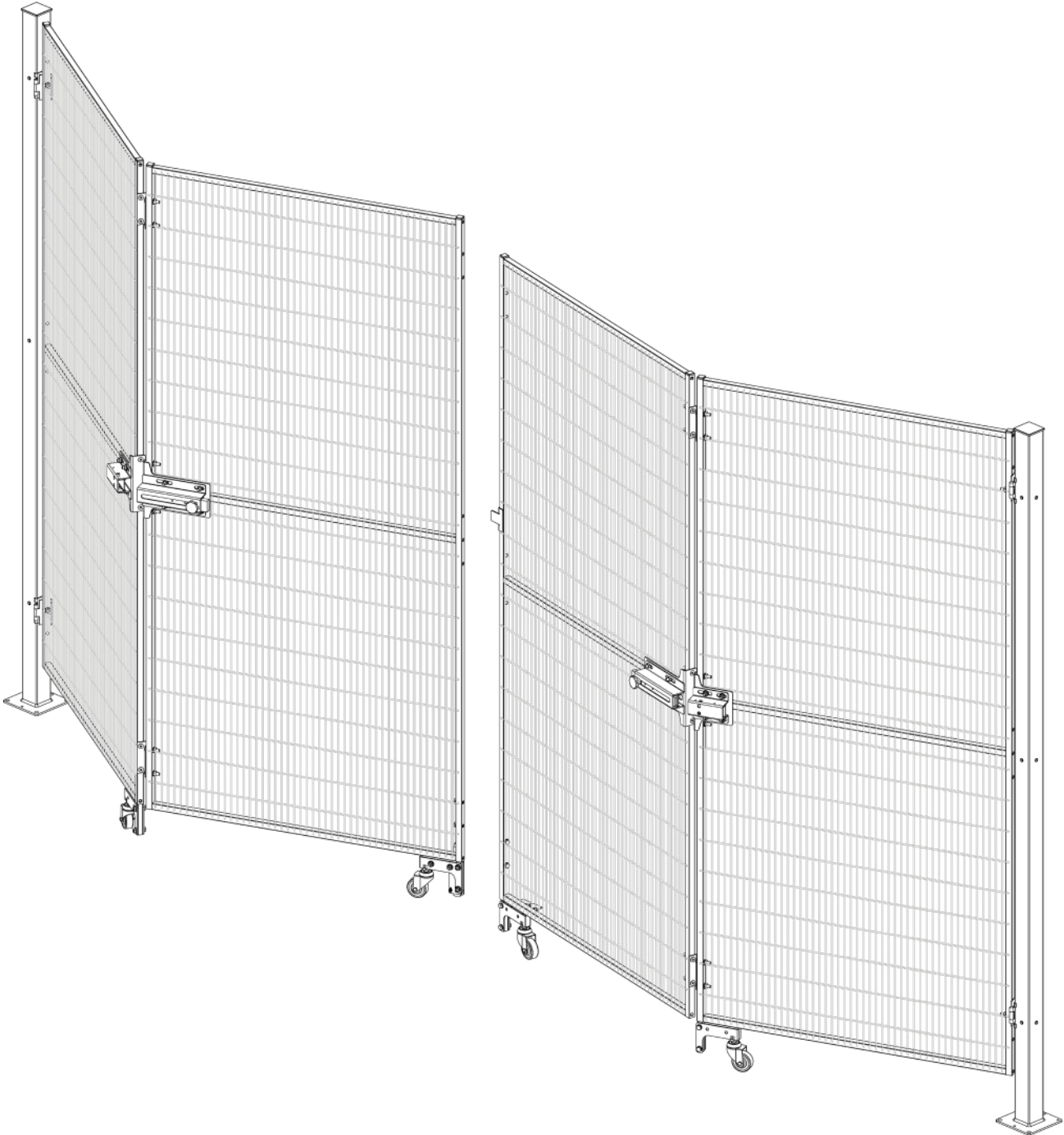
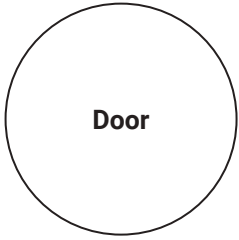


OPPOSED

Folding Door

ASSEMBLY INSTRUCTIONS

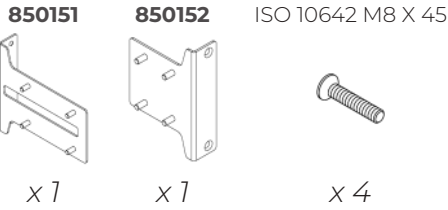


Opposed Folding Door

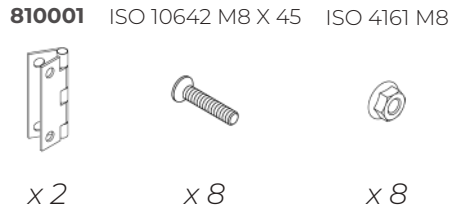
ASSEMBLY INSTRUCTIONS

403000000000004

4SKLK0BHIC



4KCERAFO



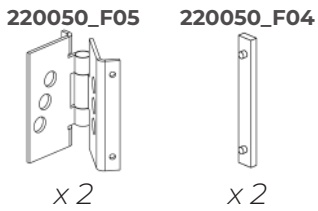
7GIREV6022



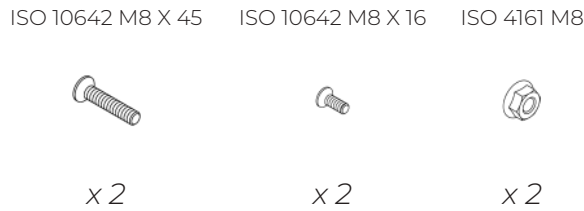
4KLOCK0ABD



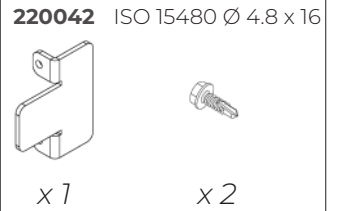
401100000000001



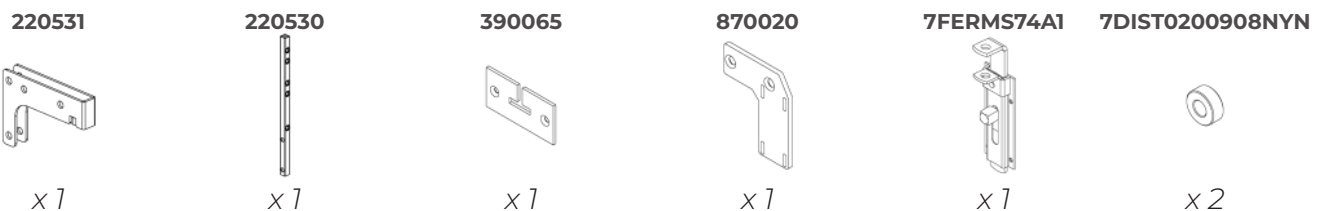
400100000000001



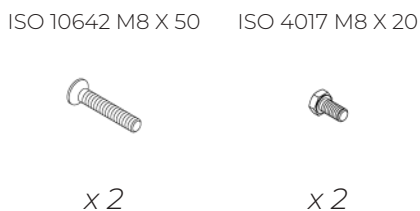
40110000 0000003



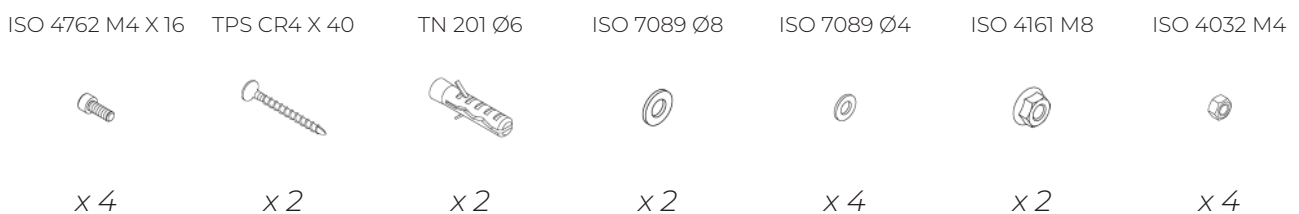
401100000000004



400KFERTER



400100000000002



Opposed Folding Door

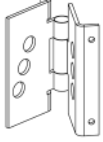
ASSEMBLY INSTRUCTIONS

403000000000003

401100000000001

220050_F05

220050_F04



x 2



x 2

400100000000001

ISO 10642 M8 X 45

ISO 10642 M8 X 16

ISO 4161 M8



x 2



x 2



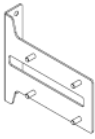
x 2

4SKLK0BHC

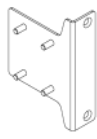
850151

850152

ISO 10642 M8 X 45



x 1



x 1



x 4

4KLOCK0ABD

790323

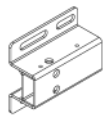
790322

790324

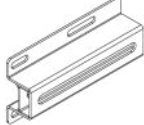
7POMCATASFERA

ISO 7093 Ø8 Ø24

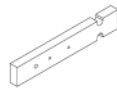
ISO 4161 M8



x 1



x 1



x 1



x 1



x 1

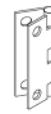


x 4

4KCERAFO

810001

ISO 4161 M8



x 2



x 4

ISO 10642 M8 X 45



x 4

401100000000005 X2 (X1 in 403000000000004)

7GIREV6022

220531

220530

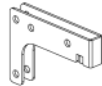


x 1

ISO 7089 Ø 12



x 4



x 1

ISO 4035 M12



x 1



x 1

400100000000002

ISO 4017 M8 X 30

ISO 4017 M8 X 20

ISO 7089 Ø8

ISO 4161 M8



x 2



x 2

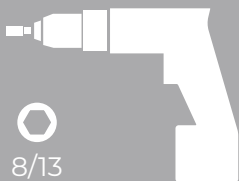


x 4



x 2

Tools



8/13



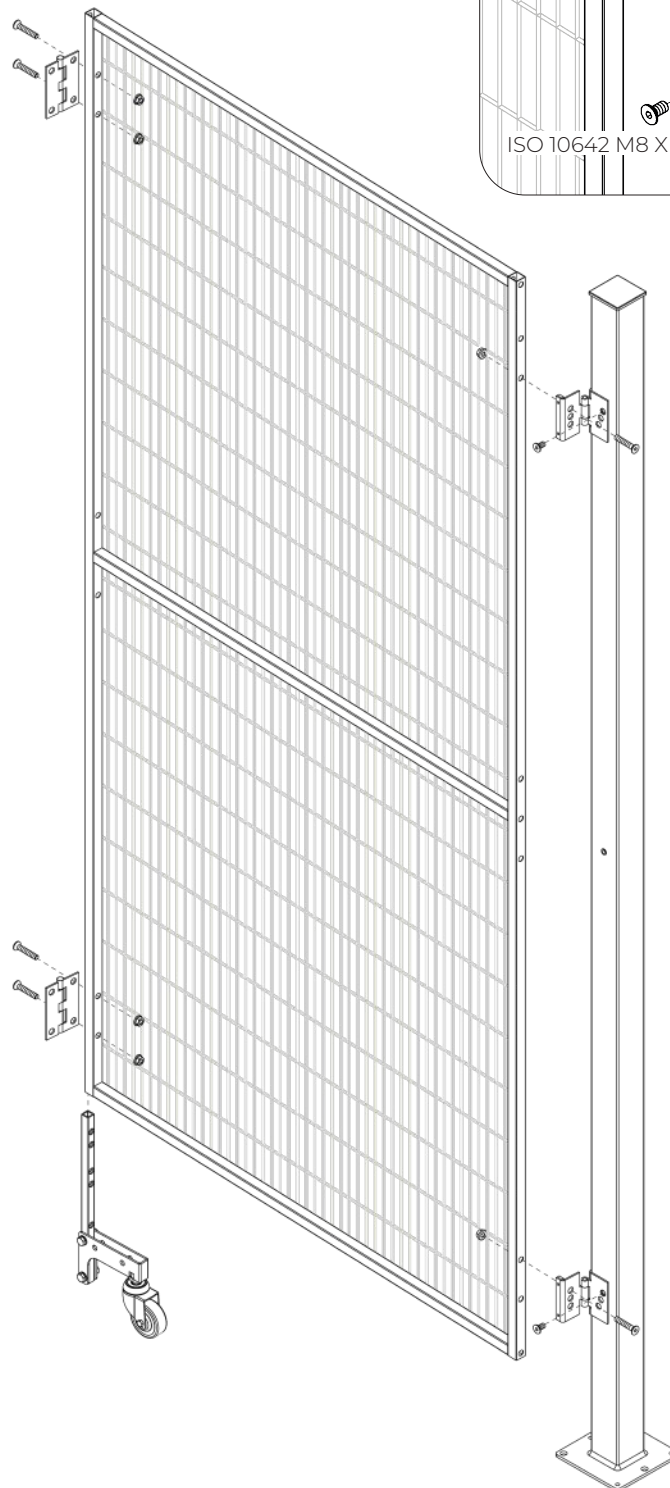
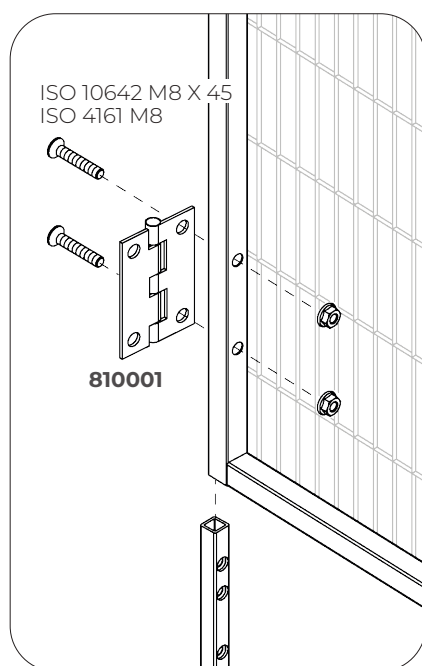
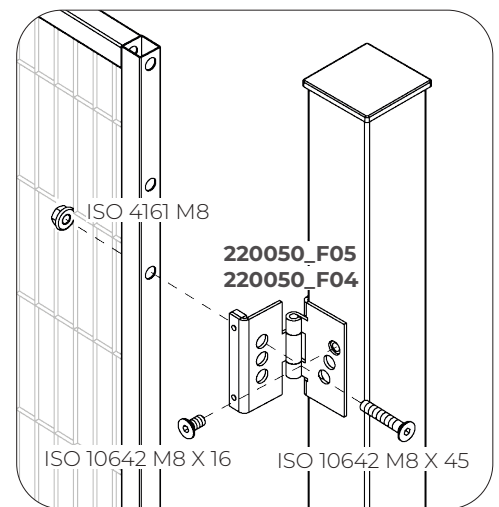
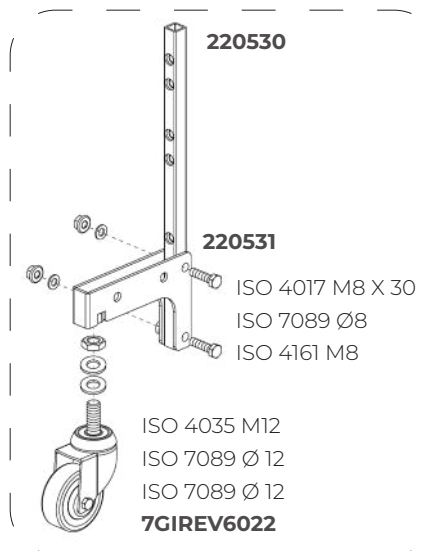
13



5

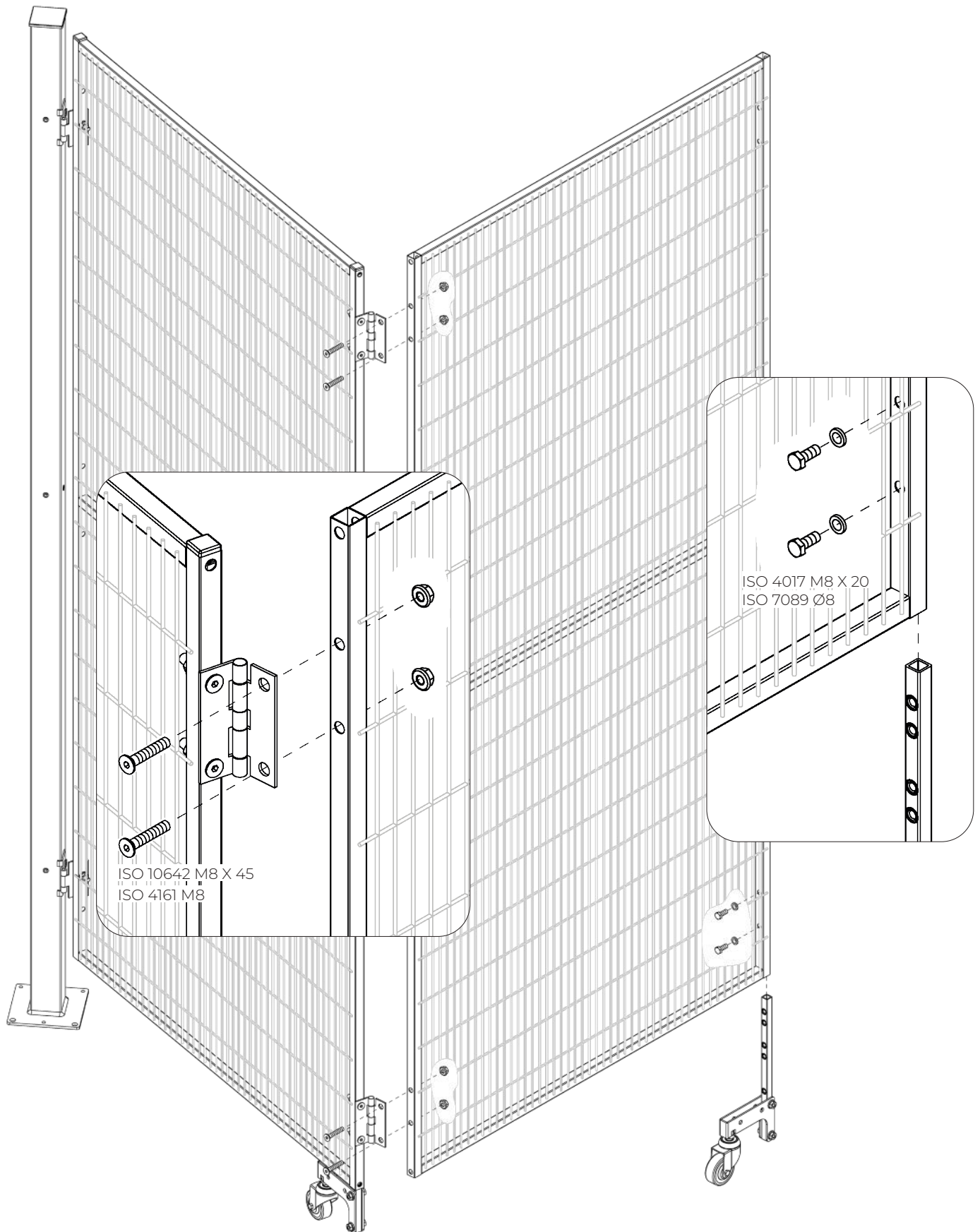
Opposed Folding Door

ASSEMBLY INSTRUCTIONS



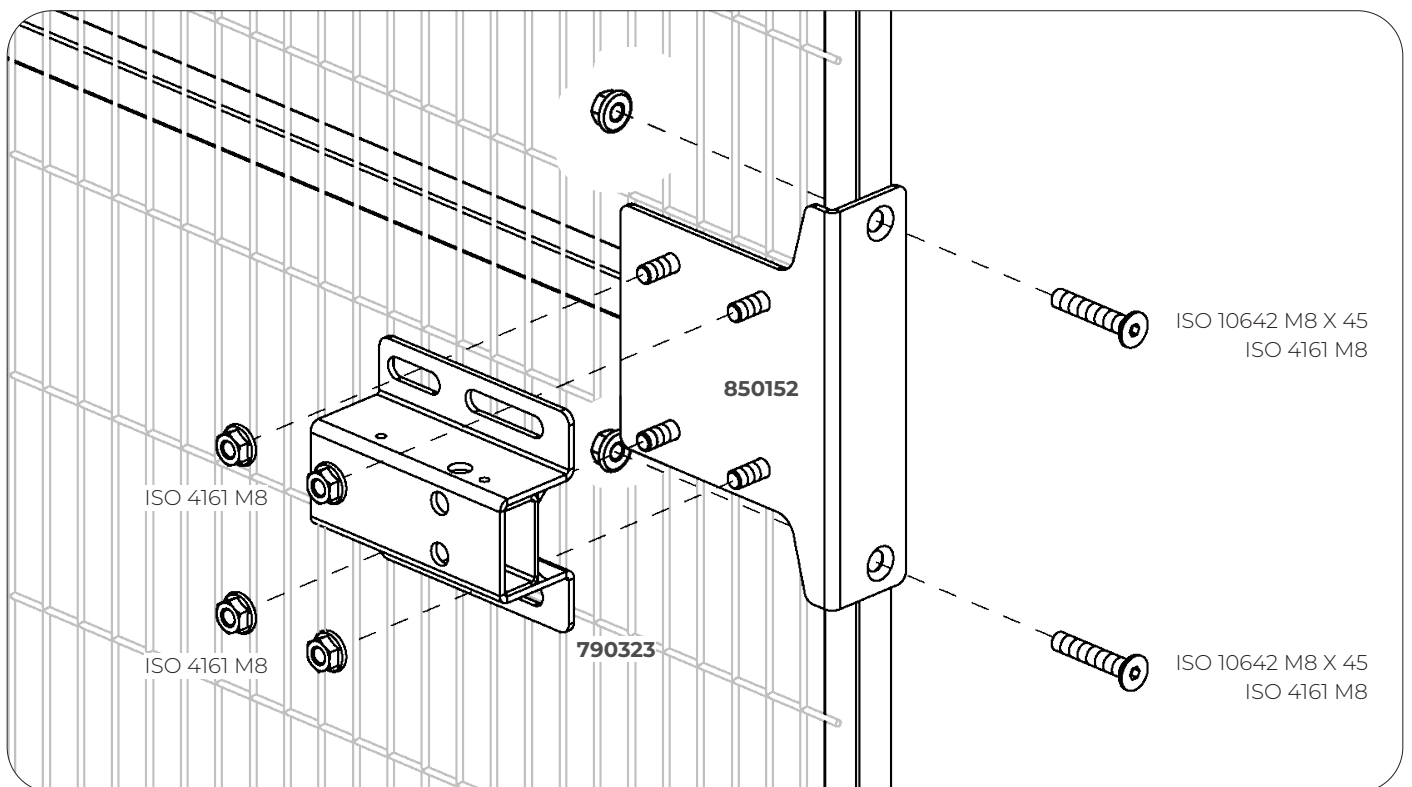
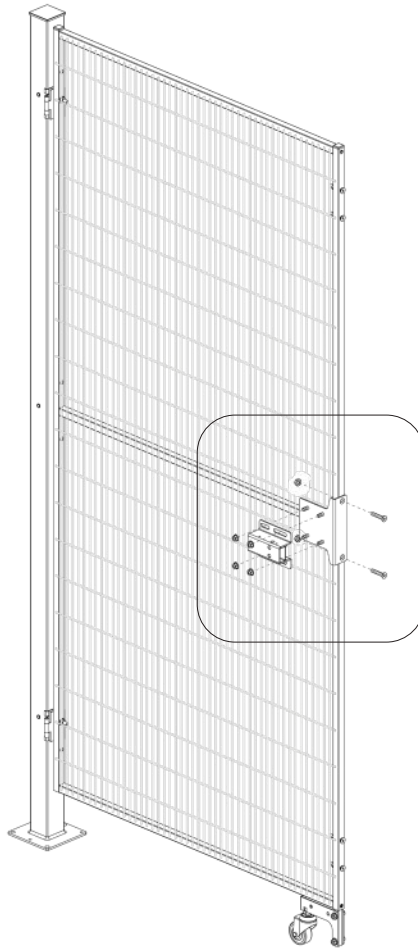
Opposed Folding Door

ASSEMBLY INSTRUCTIONS



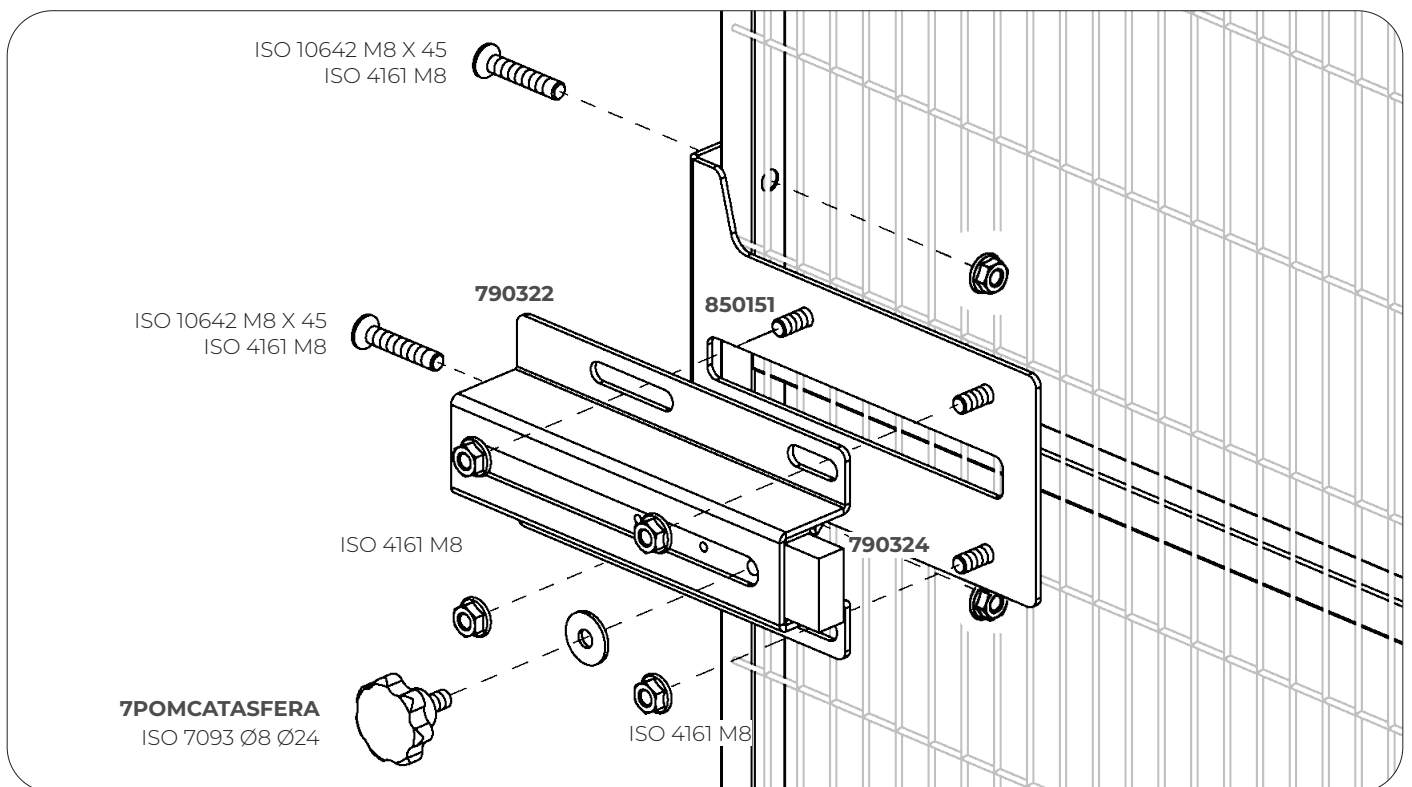
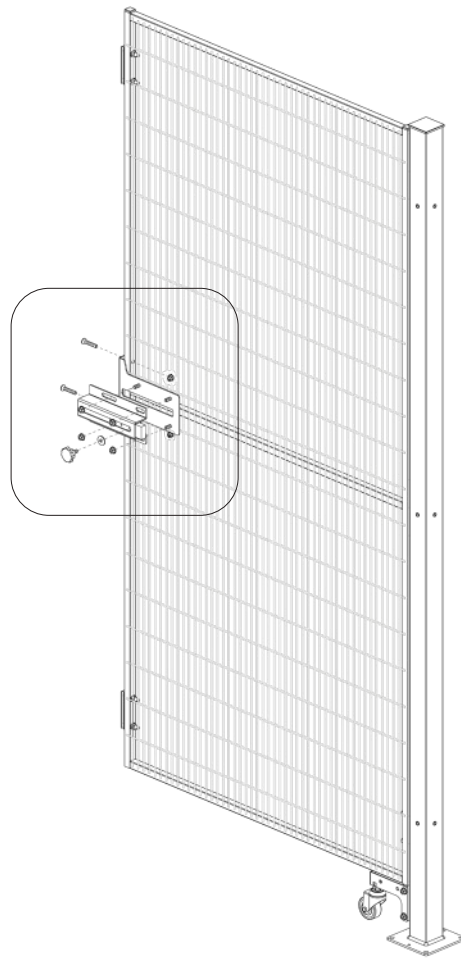
Opposed Folding Door

ASSEMBLY INSTRUCTIONS



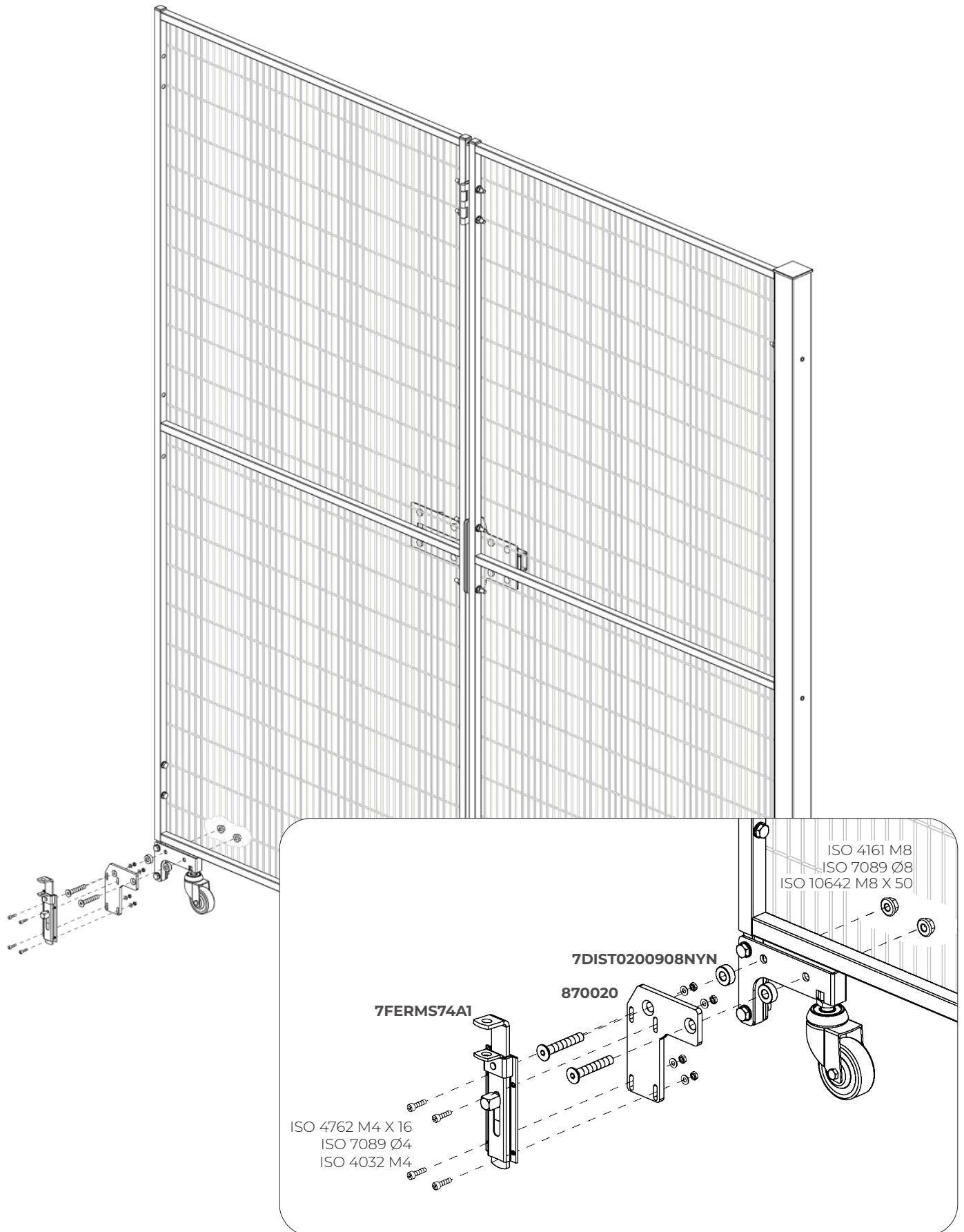
Opposed Folding Door

ASSEMBLY INSTRUCTIONS



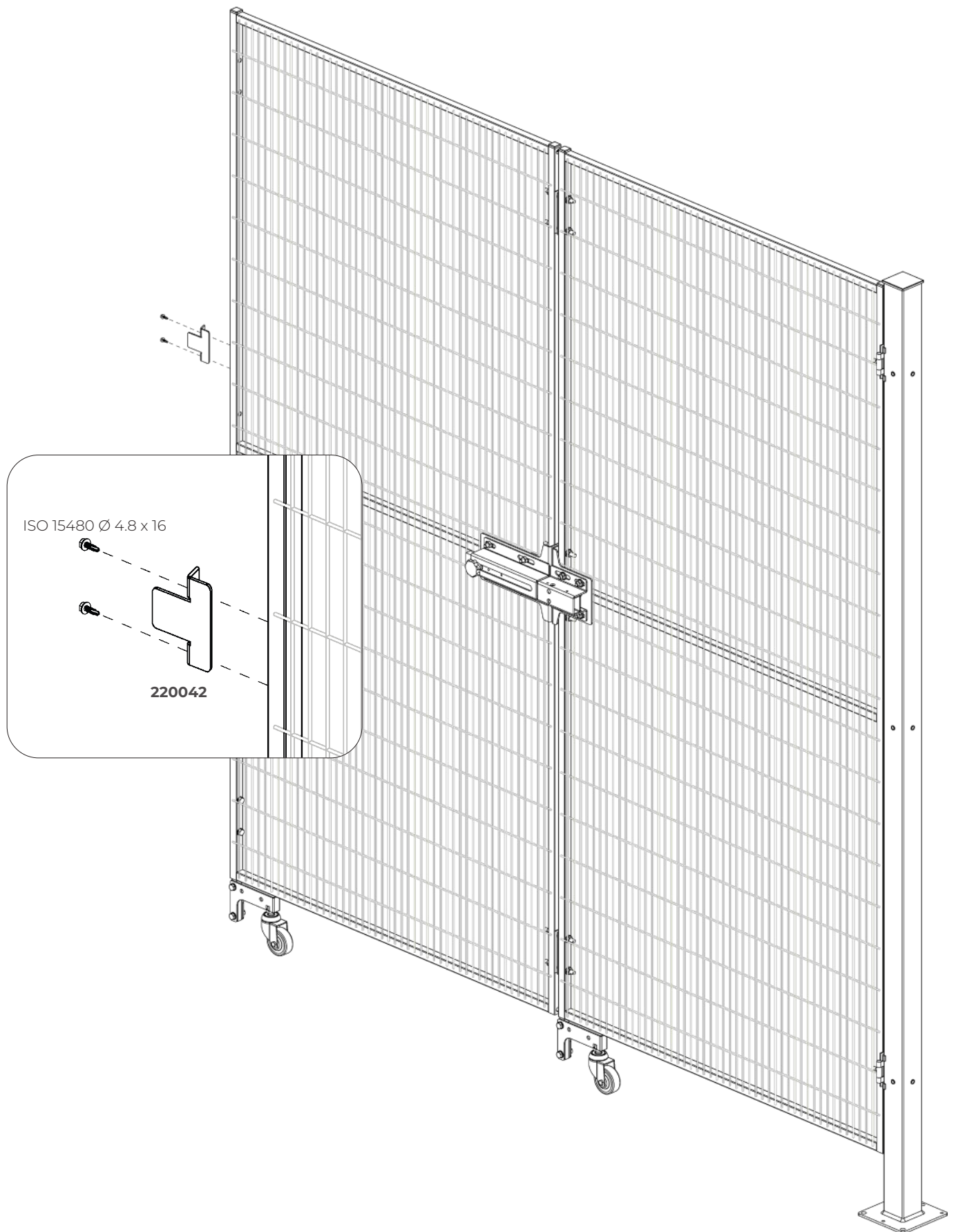
Opposed Folding Door

ASSEMBLY INSTRUCTIONS



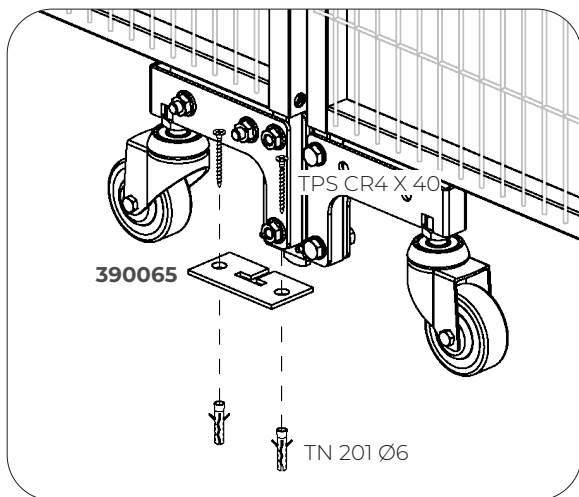
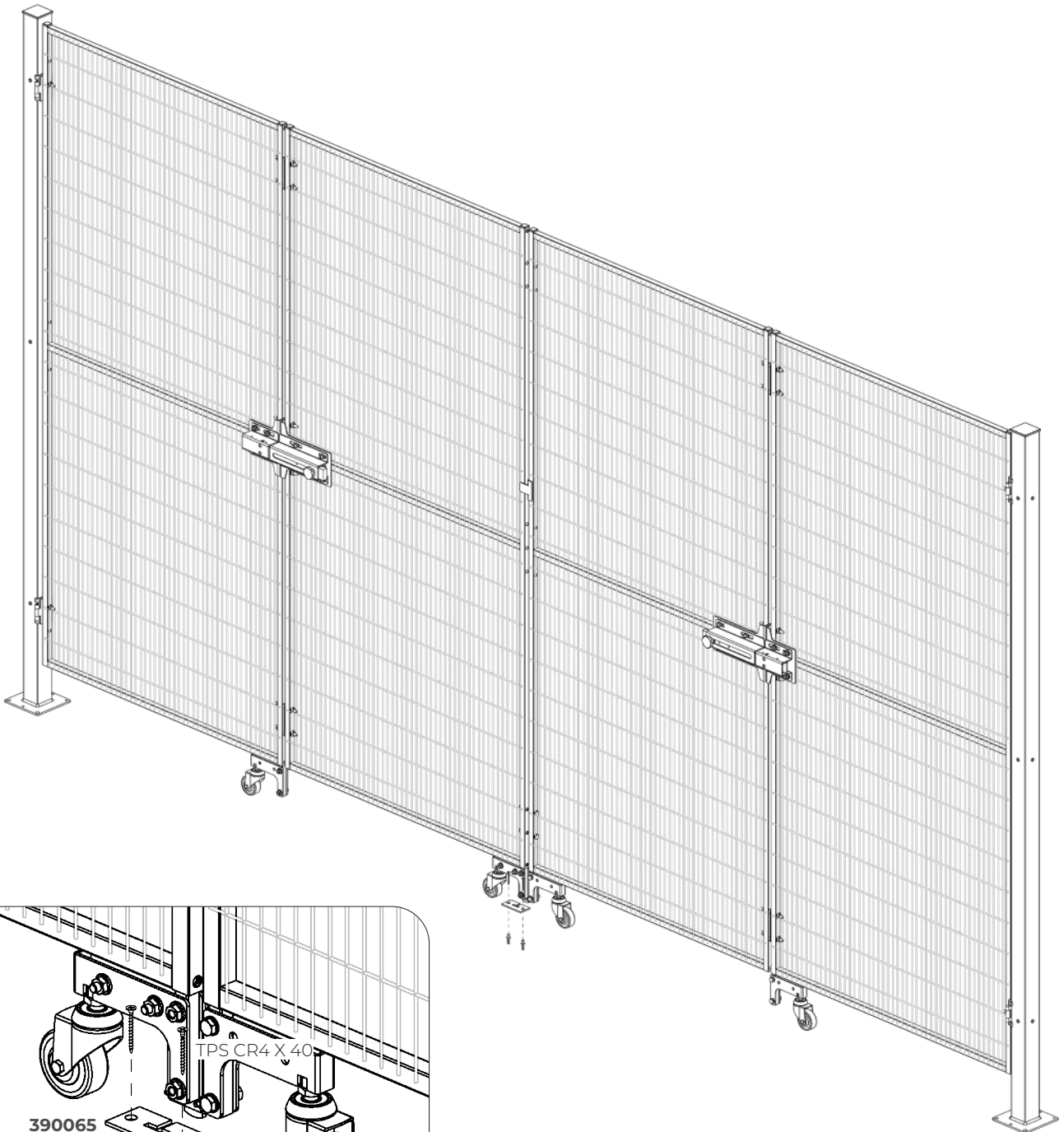
Opposed Folding Door

ASSEMBLY INSTRUCTIONS



Opposed Folding Door

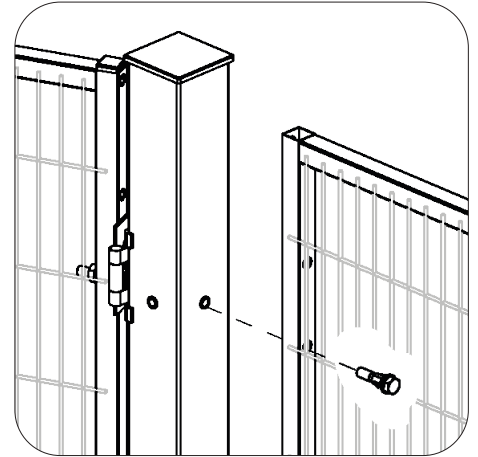
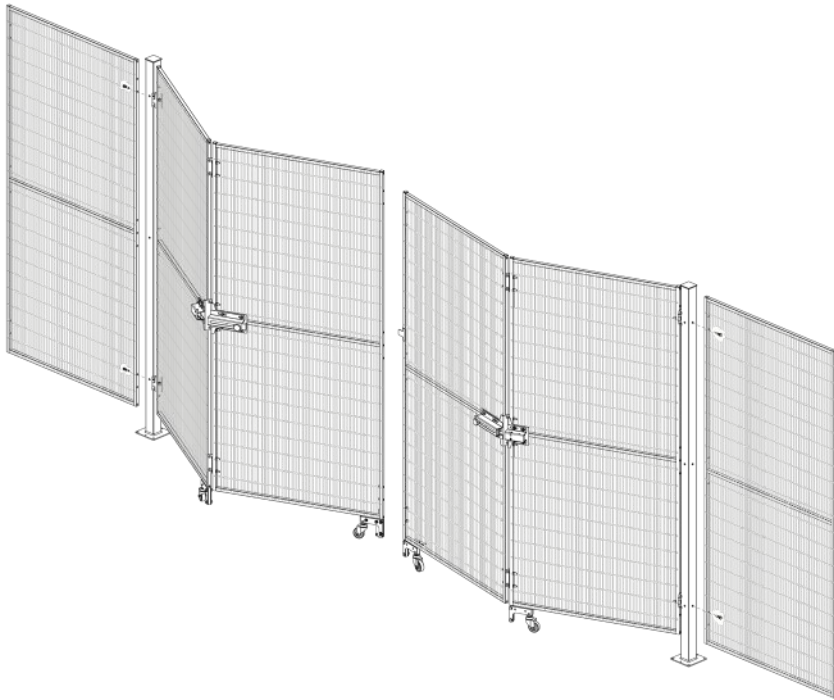
ASSEMBLY INSTRUCTIONS



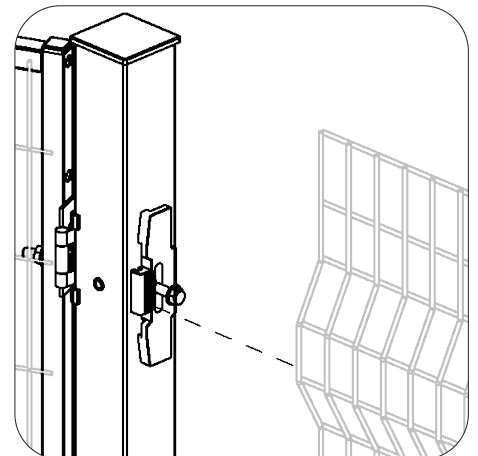
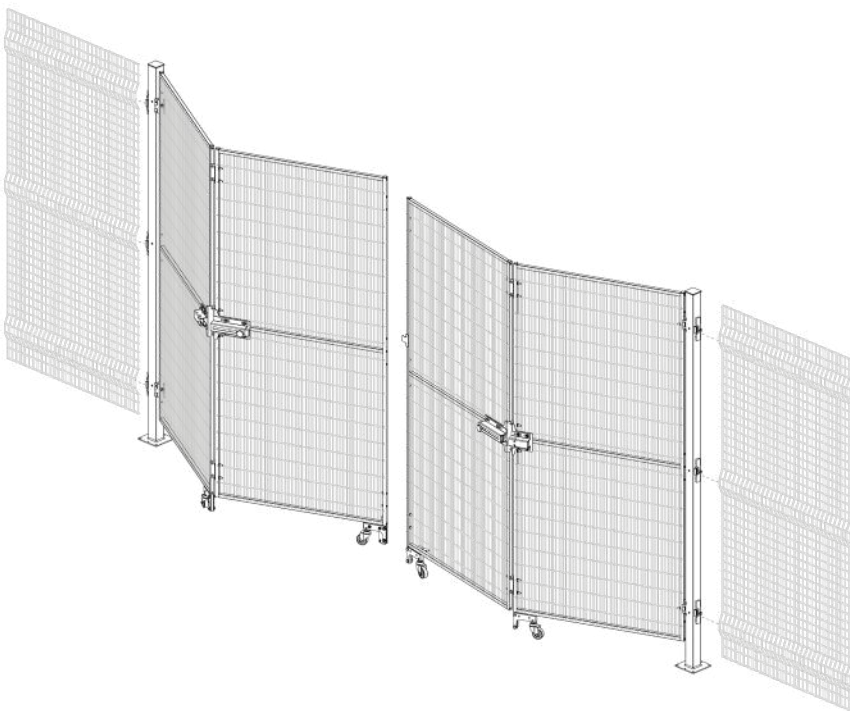
Opposed Folding Door

ASSEMBLY INSTRUCTIONS - LINEAR

ImpactGuard



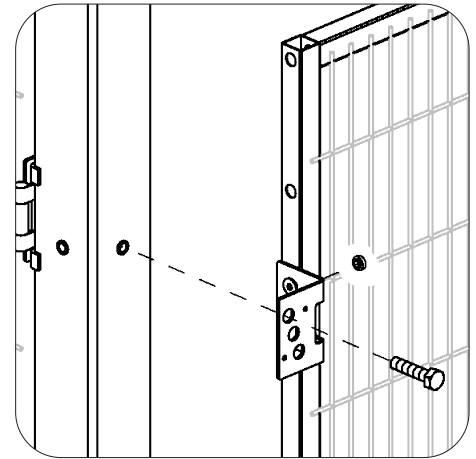
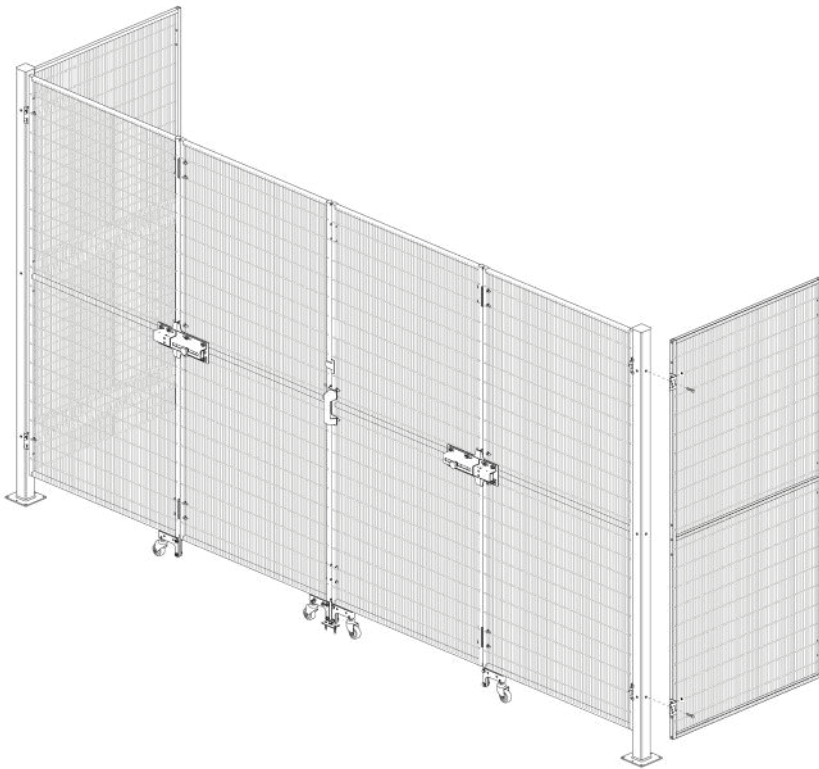
AdaptaGuard



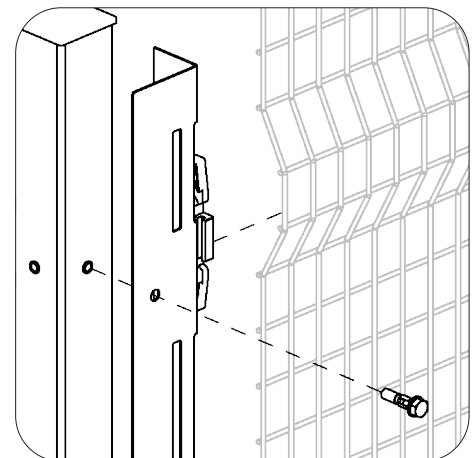
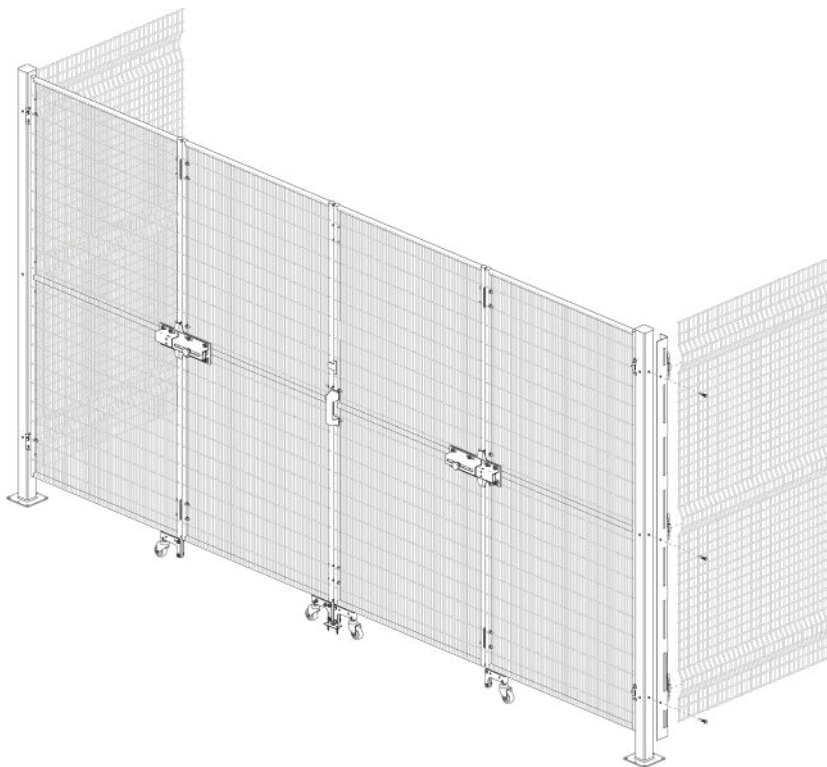
Opposed Folding Door

ASSEMBLY INSTRUCTIONS - ANGULAR

ImpactGuard



AdaptaGuard



Opposed **Folding Door**
ASSEMBLY INSTRUCTIONS - NOTES

A large grid area for taking notes, consisting of a 30x30 grid of small squares. The grid is empty and occupies most of the page.

Modular Machine Guards that fit your needs.

Tailor-made solutions for the safety of operators and machinery



Protecting workers and machinery is paramount to create a safe and productive work environment. Satech Modular Machine Guards Systems, Doors and Accessories provide tailor-made solutions for any machinery layout need.

3 framed Systems, 2 frameless Systems and more than 150 Locks/Interlocks ensure the maximum level of protection (PL) when accessing hazard areas for inspection or machinery maintenance.

Perimeter Protection Machine Safety Guards compliant with European and International Standards

Satech Machine Guards are manufactured in compliance with the **EN ISO 14120** standard, "General requirements for the design and construction of fixed and movable guards". They can be installed at a minimum distance of **120 mm from hazard** (as for EN ISO 13857), saving you plenty of layout space.

All Satech products are manufactured with **quality materials** and are highly durable. Mesh panels and other panel solutions can be easily and rapidly connected to posts (with captive retained fastenings, as for 2006/42/CE - Machinery Directive), which allows you to greatly **reduce assembly time**.

Founded in 2000, Satech was the first Italian Perimeter Guards Manufacturer. A **modern international company** today, in our 20+ years of work we have taken care of the safety of thousands of automated machinery systems and of millions of people worldwide. A **Safe Factory** is a **Productive One**.



Need help with this manual?

If you need additional specs, tips or manuals, please call our **Customer Service** at

+39 031 86230 85

SATECH
Modular Machine Guards

Satech Safety Technology SpA

Via Conte Taverna, 1
I-23892 Bulciago (LC)
Phone +39 031 86230 11



CERTIFIED
ISO 9001
ISO 14001
ISO 45001

