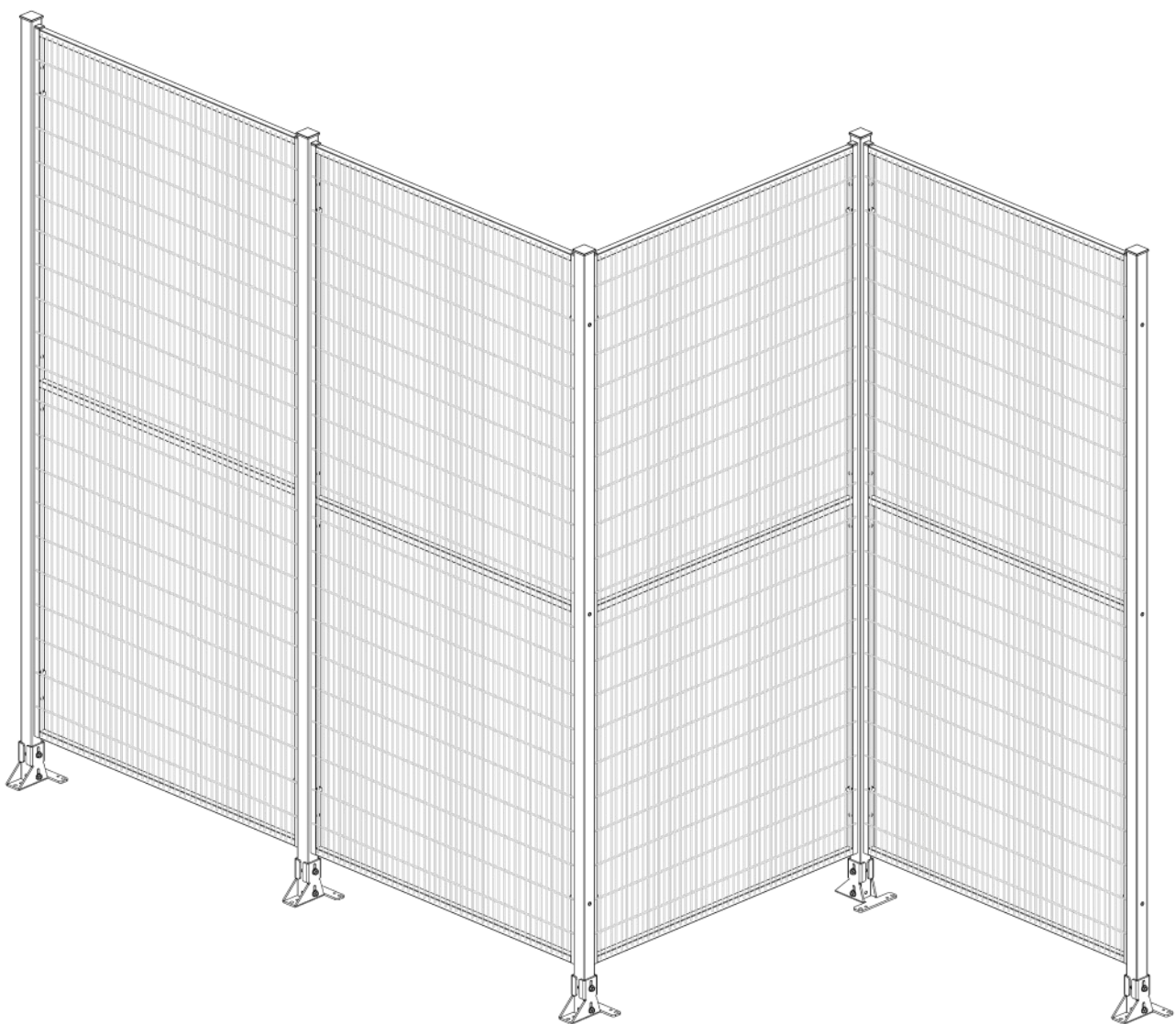
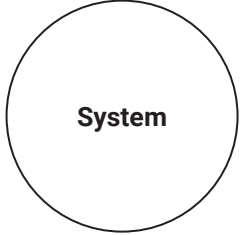


# ImpactGuard

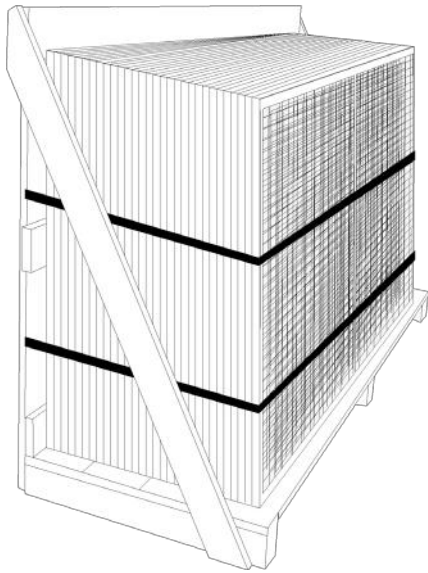
ASSEMBLY INSTRUCTIONS



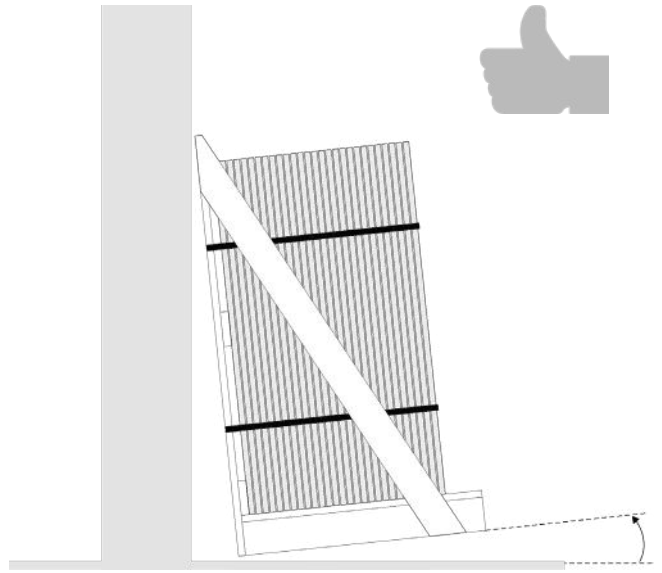
# ImpactGuard

SAFE START

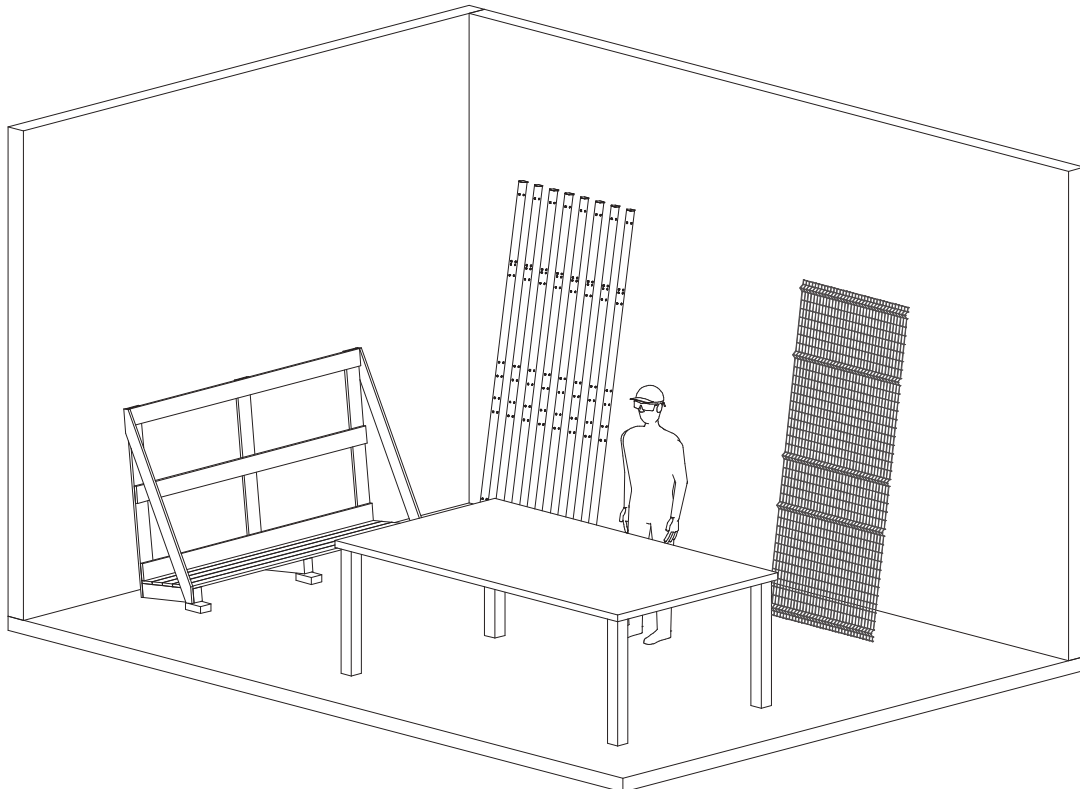
1



2

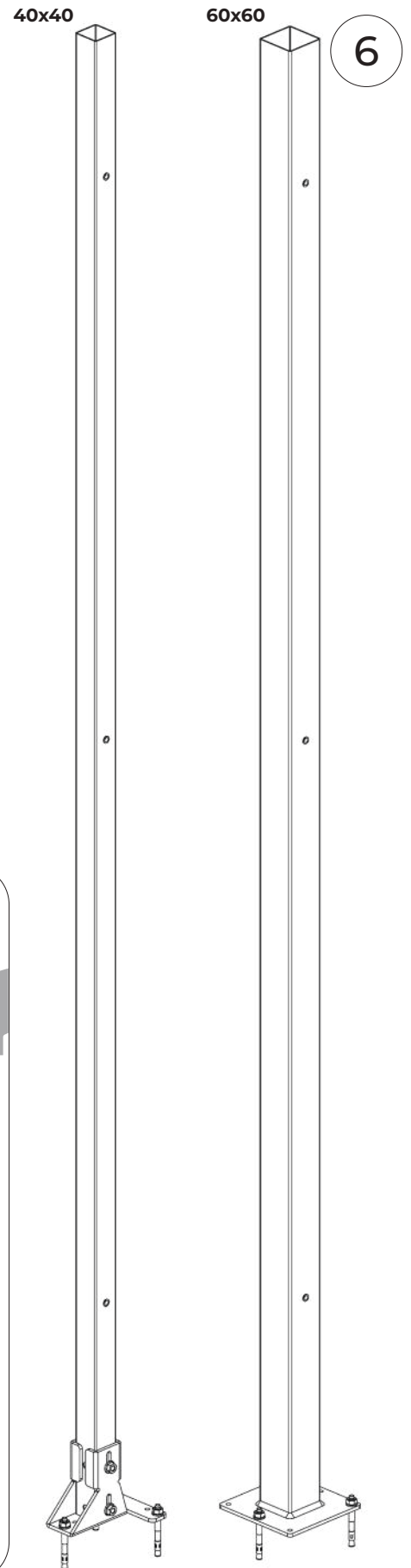
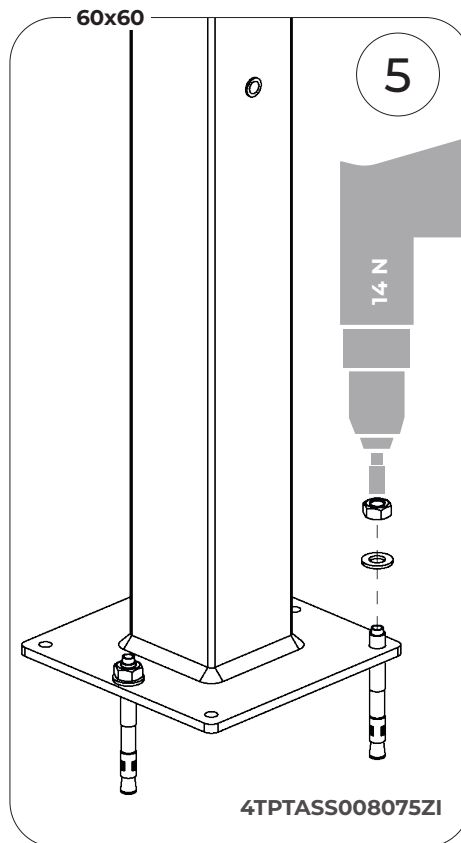
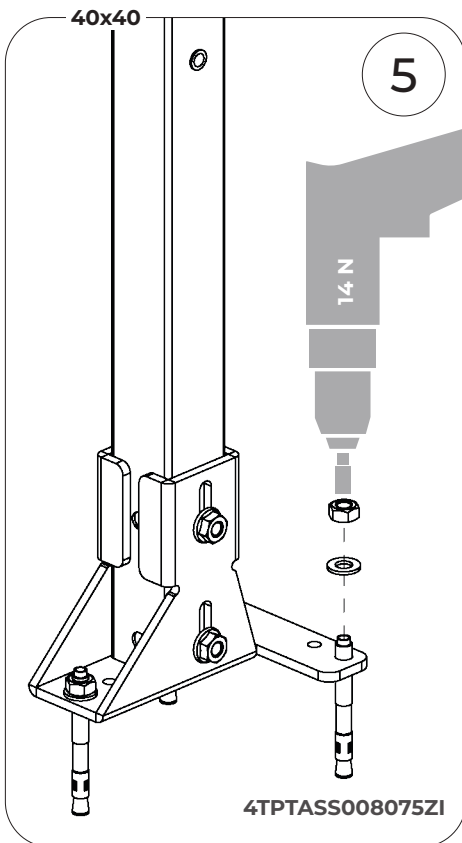
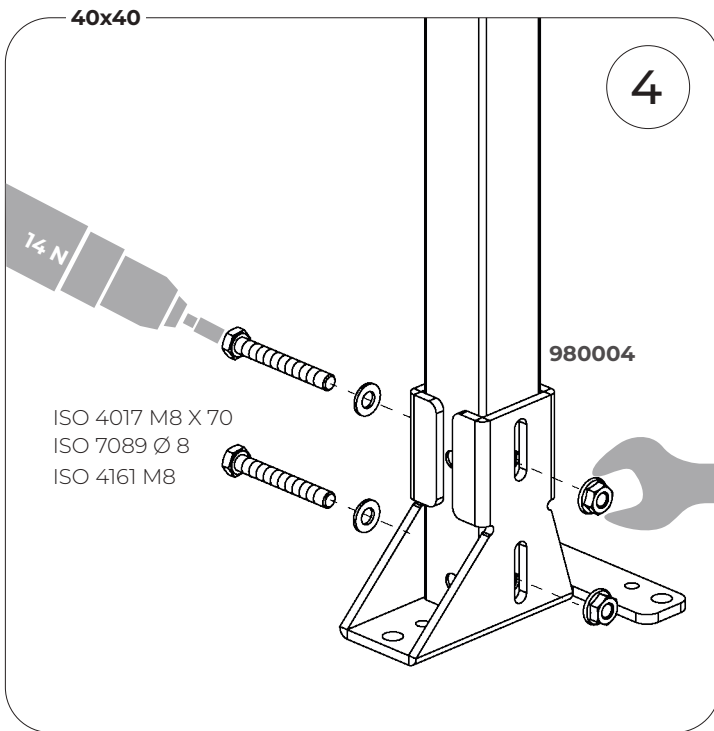


3



# ImpactGuard

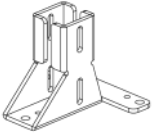
SAFE START



# ImpactGuard

## ASSEMBLY INSTRUCTIONS

980004



x 7

### 4021000000000005 (60X60)

906565  
(60x60)



x 7

810027A  
(T20)



x 4

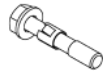
### 4021000000000006 (60X60)

906565  
(60x60)



x 7

810031  
(T30)



x 4

### 4021000000000001

ISO 4017 M8 X 30



x 7

ISO 7089 Ø 8



x 7

4TPTASS008075Z1



x 3

### 4021000000000004 (40x40)

906545  
(40x40)



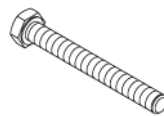
x 7

810027A  
(T20)



x 4

ISO 4017 M8 X 70



x 2

ISO 7089 Ø 8



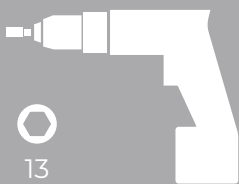
x 2

ISO 4161 M8



x 2

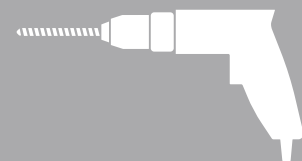
### Tools



13

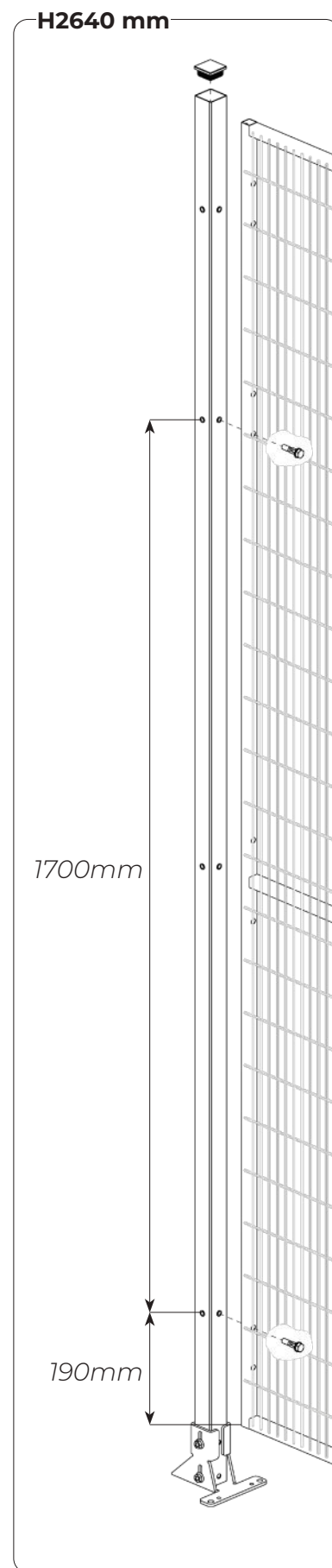
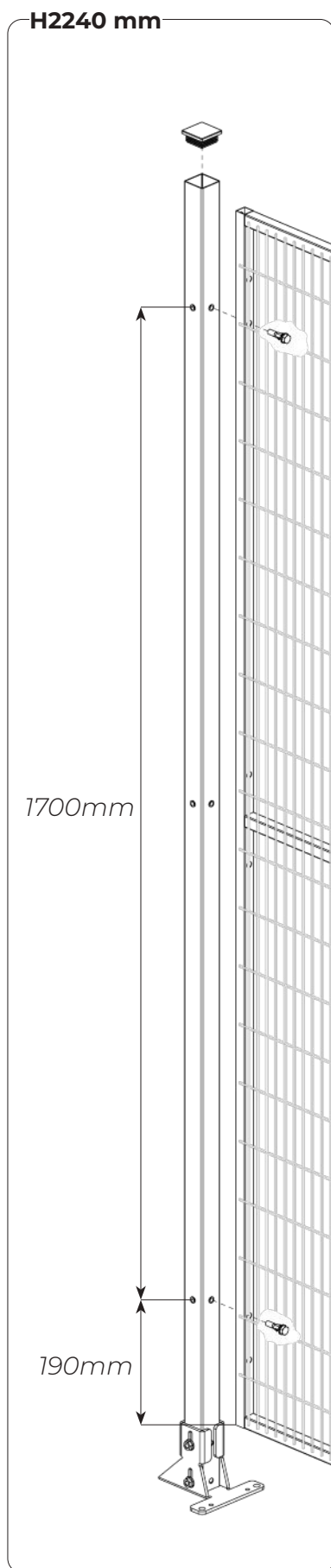
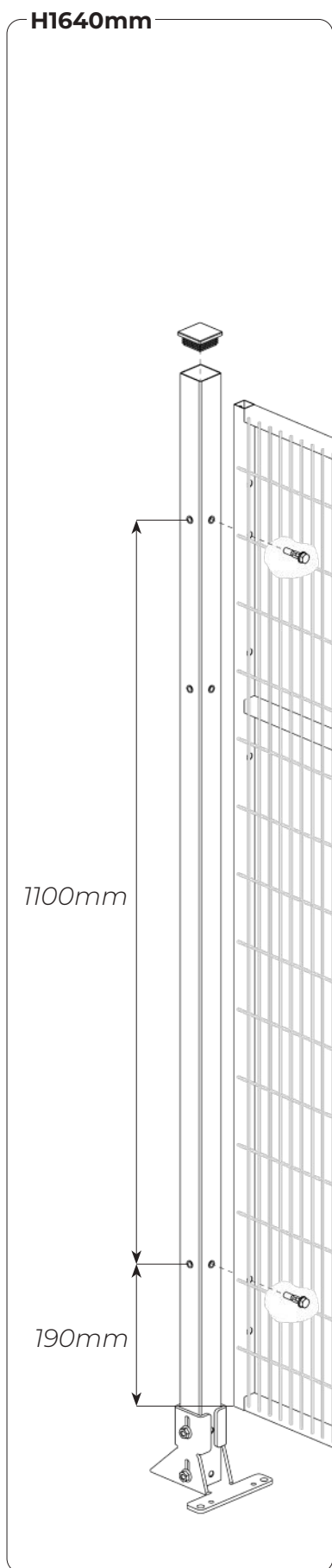


13



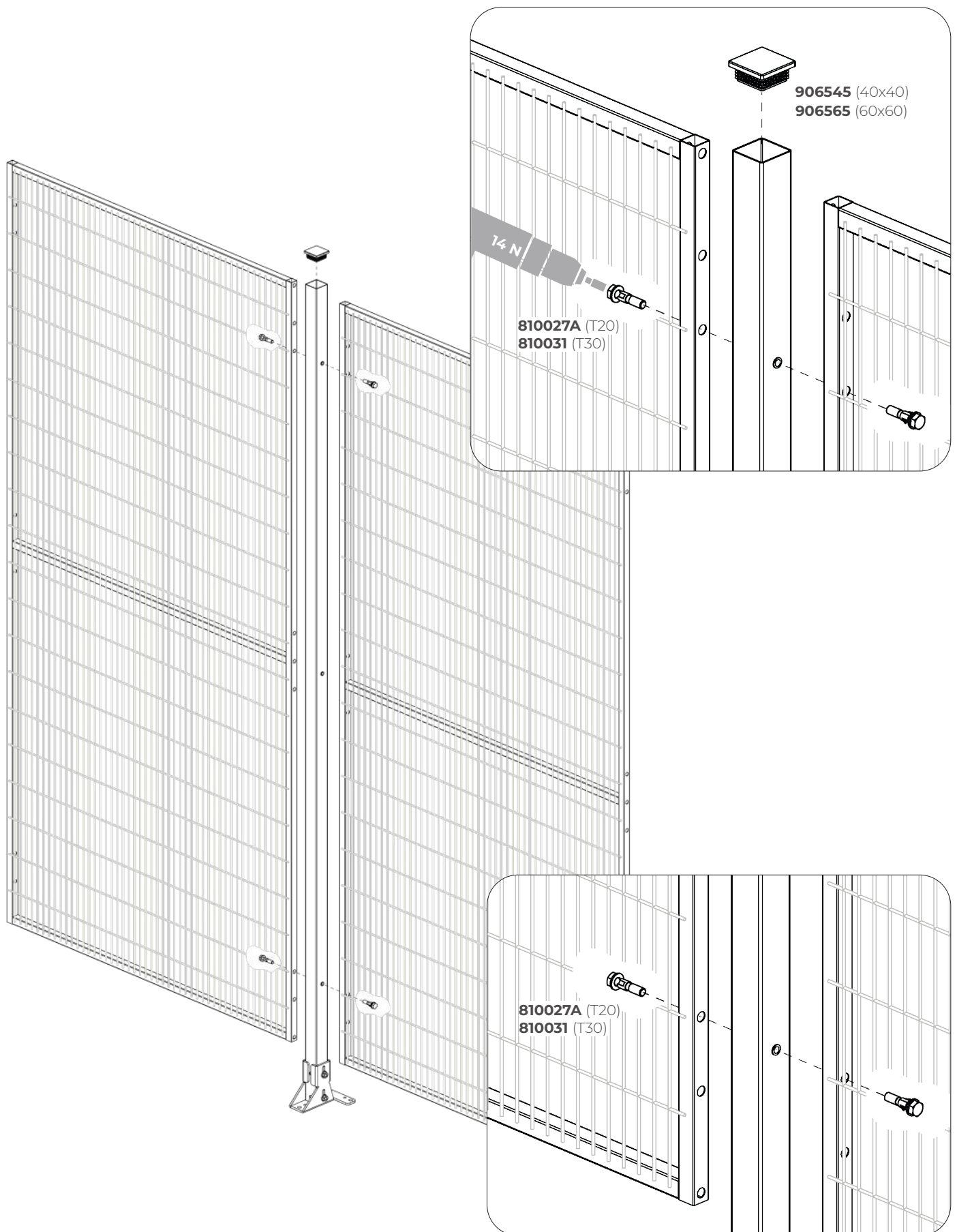
# ImpactGuard

ASSEMBLY INSTRUCTIONS



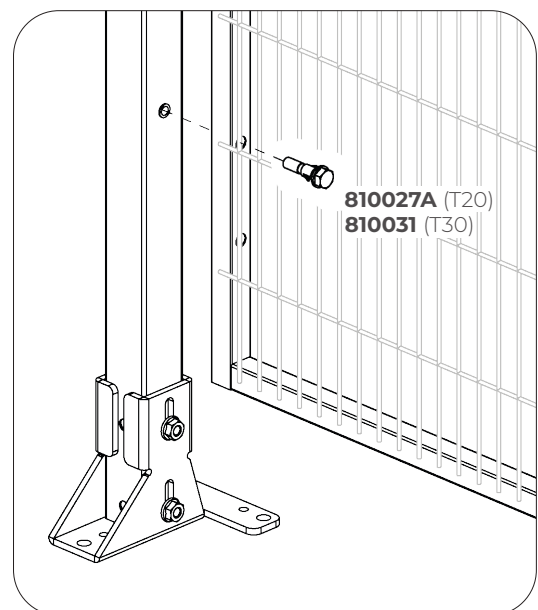
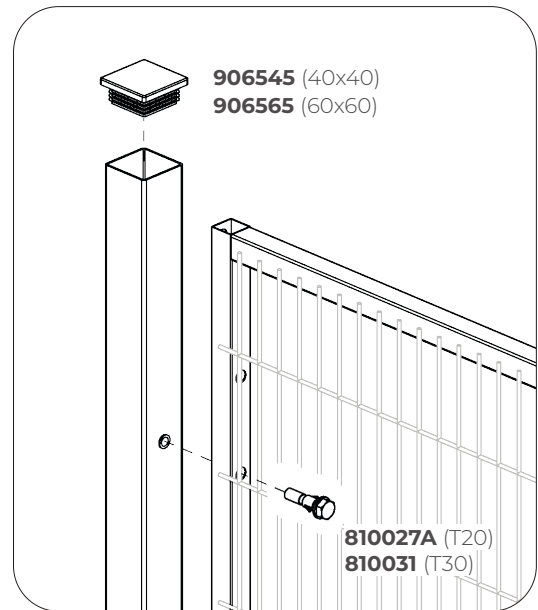
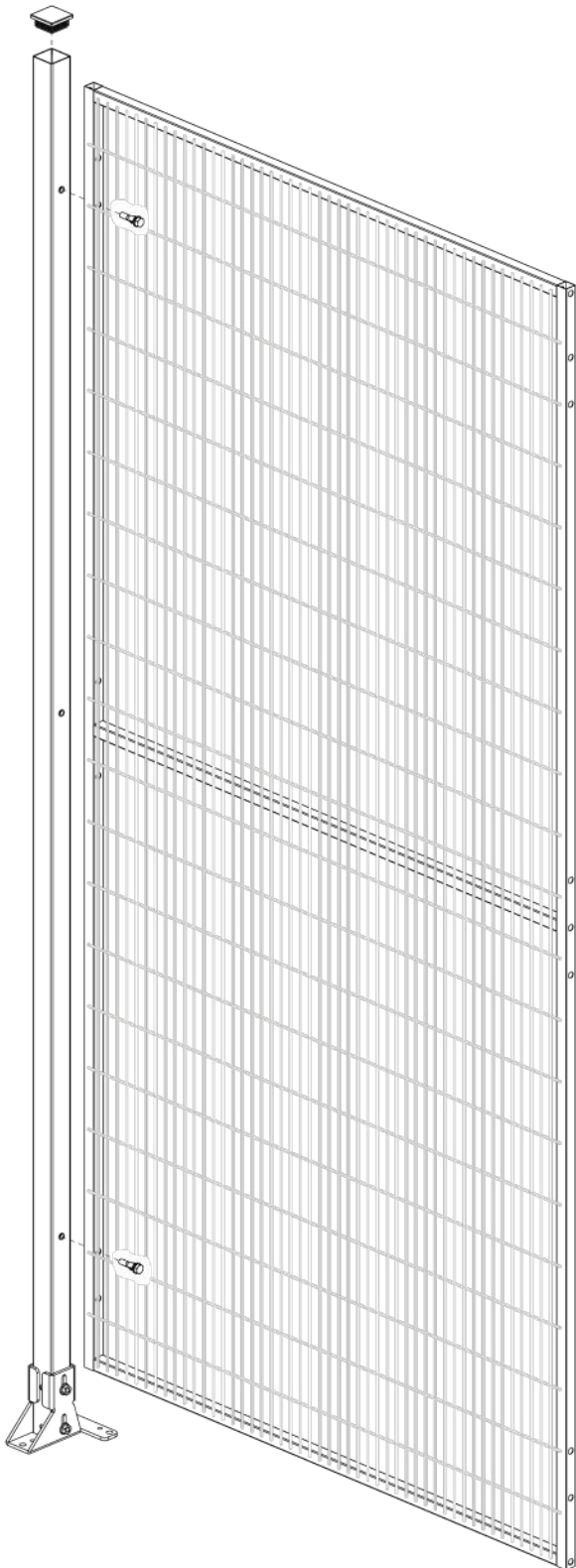
# ImpactGuard

ASSEMBLY INSTRUCTIONS - LINEAR



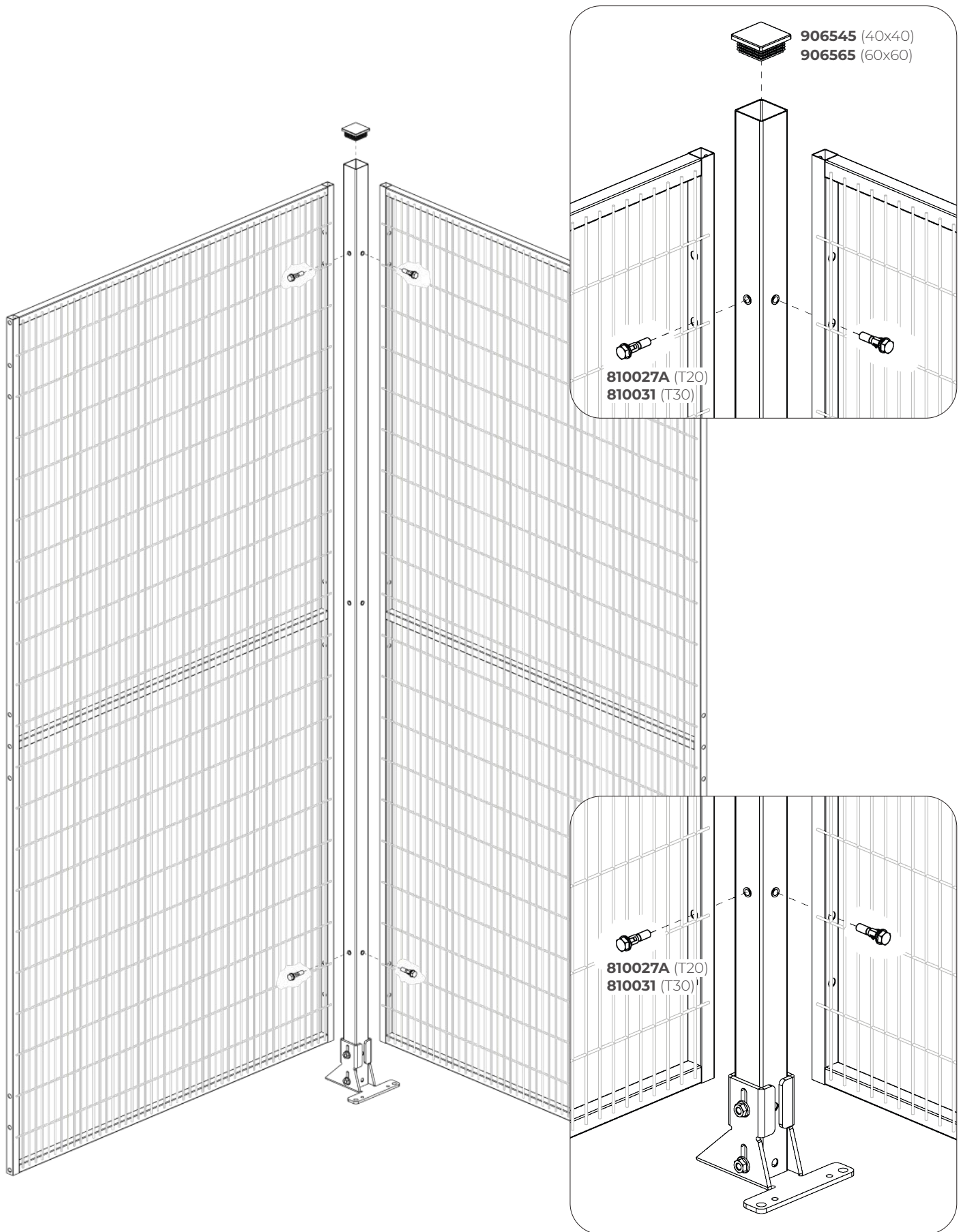
# ImpactGuard

ASSEMBLY INSTRUCTIONS - TERMINAL



# ImpactGuard

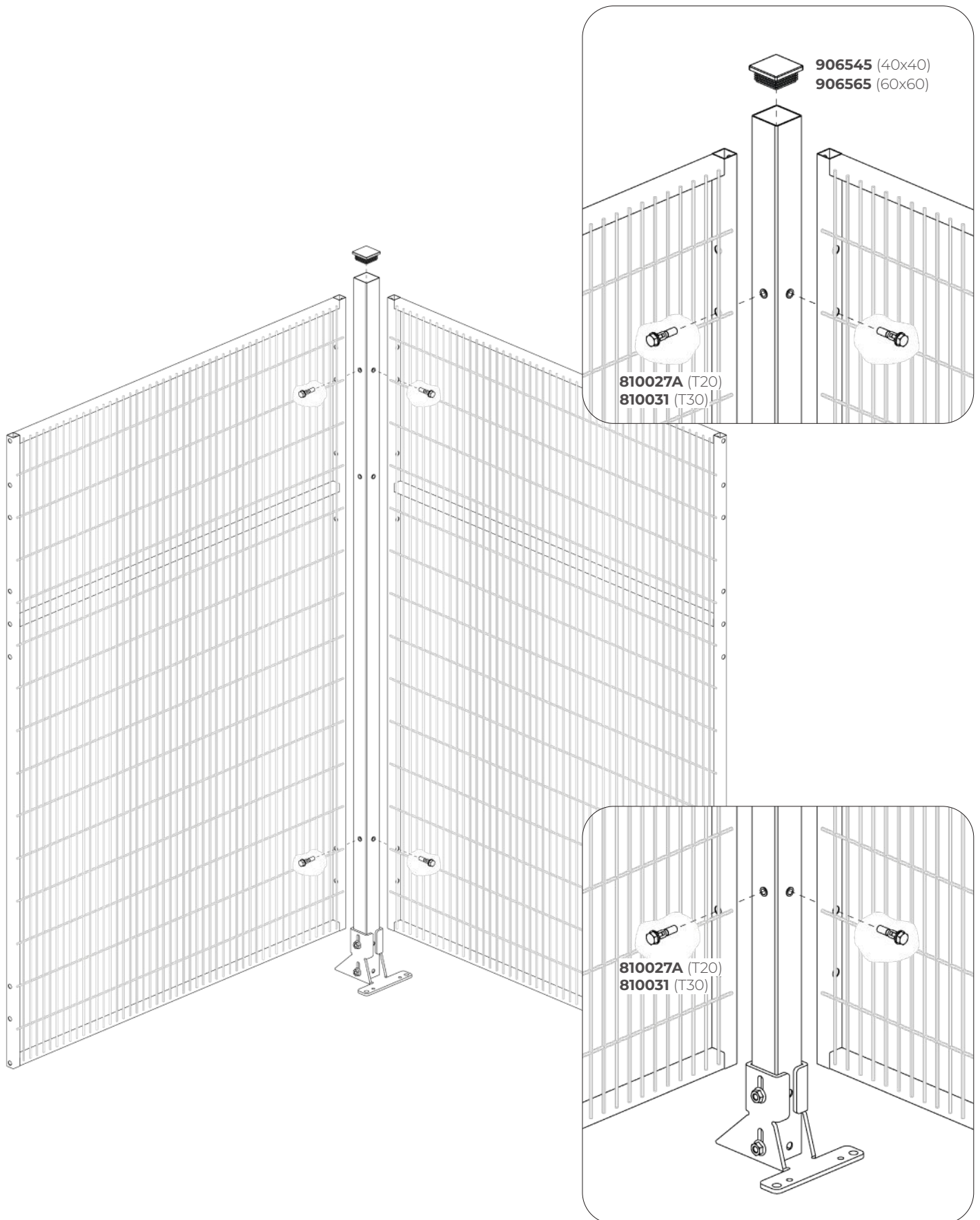
ASSEMBLY INSTRUCTIONS - ANGULAR





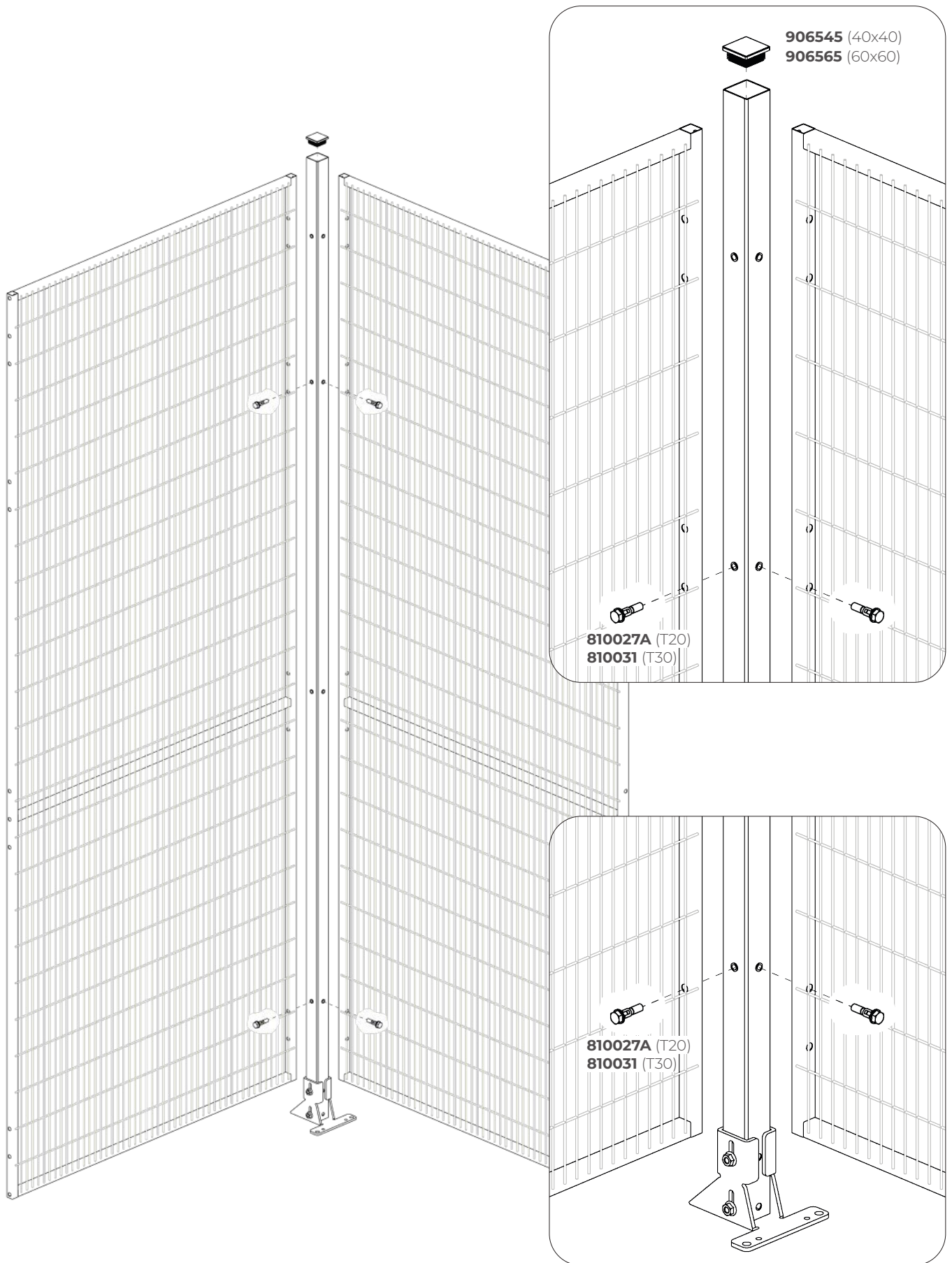
# ImpactGuard

ASSEMBLY INSTRUCTIONS - H1640mm



# ImpactGuard

ASSEMBLY INSTRUCTIONS - H2640mm



# ImpactGuard

## ASSEMBLY INSTRUCTIONS - NOTES

A large grid of graph paper for taking notes, consisting of 20 columns and 30 rows of small squares.

# Modular Machine Guards that fit your needs.

Tailor-made solutions for the safety of operators and machinery



Protecting workers and machinery is paramount to create a safe and productive work environment. Satech Modular Machine Guards Systems, Doors and Accessories provide tailor-made solutions for any machinery layout need.

**3 framed Systems, 2 frameless Systems** and **more than 150 Locks/Interlocks** ensure the maximum level of protection (PL) when accessing hazard areas for inspection or machinery maintenance.

## Perimeter Protection Machine Safety Guards compliant with European and International Standards

Satech Machine Guards are manufactured in compliance with the **EN ISO 14120** standard, "General requirements for the design and construction of fixed and movable guards". They can be installed at a minimum distance of **120 mm from hazard** (as for EN ISO 13857), saving you plenty of layout space.

All Satech products are manufactured with **quality materials** and are highly durable. Mesh panels and other panel solutions can be easily and rapidly connected to posts (with captive retained fastenings, as for 2006/42/CE - Machinery Directive), which allows you to greatly **reduce assembly time**.

Founded in 2000, Satech was the first Italian Perimeter Guards Manufacturer. A **modern international company** today, in our 20+ years of work we have taken care of the safety of thousands of automated machinery systems and of millions of people worldwide. A **Safe Factory** is a **Productive One**.



## Need help with this manual?

If you need additional specs, tips or manuals, please call our **Customer Service** at

**+39 031 86230 85**

**SATECH**  
Modular Machine Guards

Satech Safety Technology SpA

Via Conte Taverna, 1  
I-23892 Bulciago (LC)  
Phone +39 031 86230 11

