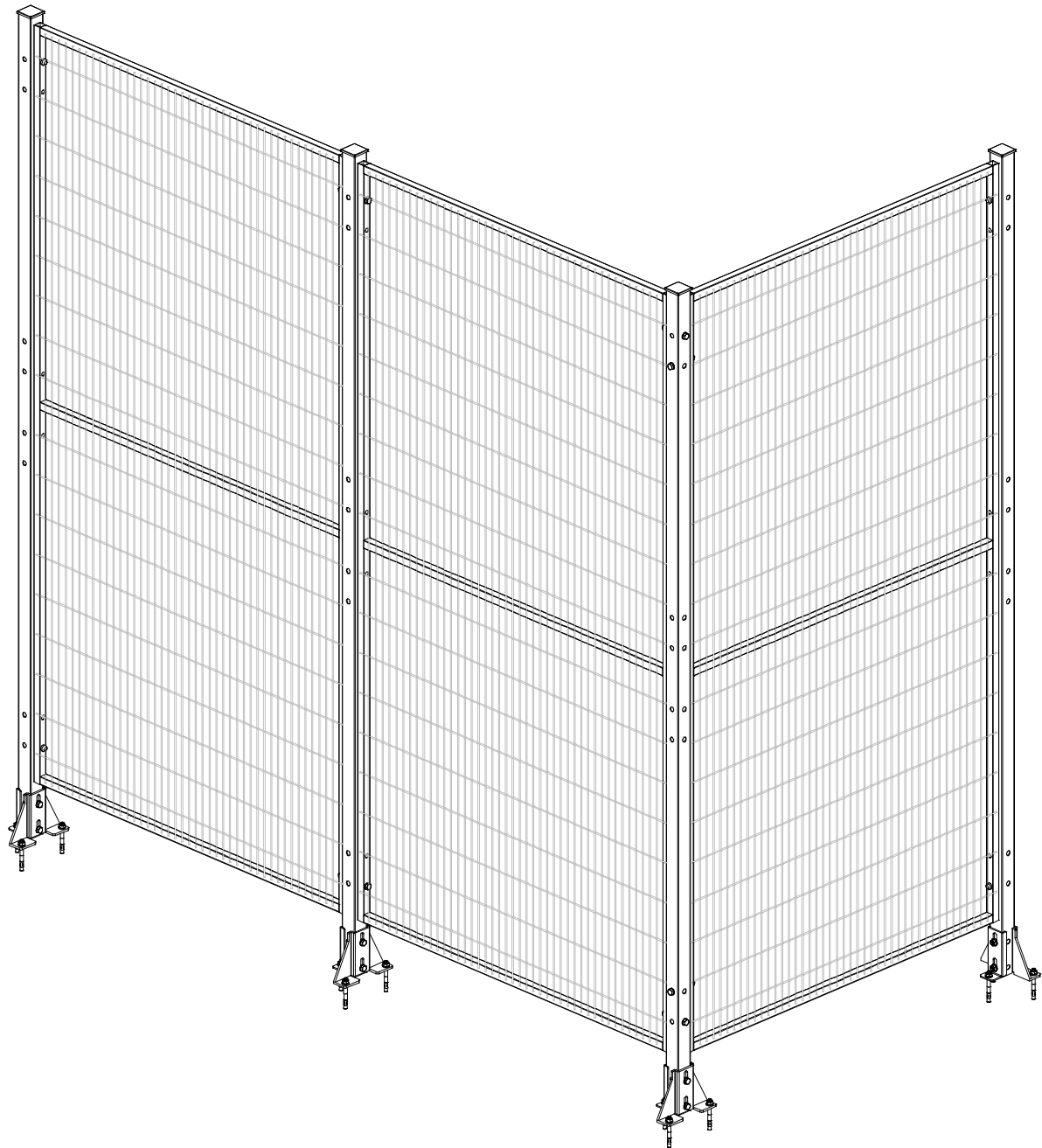
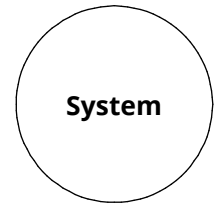


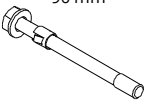
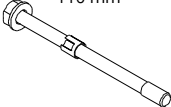

Series BASIC
LAYOUT ASSEMBLY WITH CAPTIVE RETAINED SCREWS

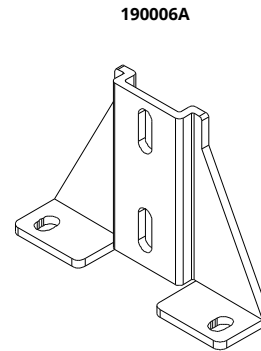


Series BASIC

LAYOUT ASSEMBLY WITH CAPTIVE RETAINED SCREWS

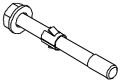
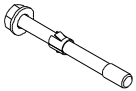

LINEAR

810023A 90 mm	810018A 110 mm	4DC900160007AZI
		
x 2	x 2	x 2

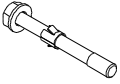
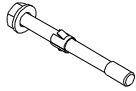



x 1

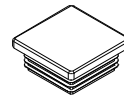
TERMINAL

810016A 70 mm	810017A 80 mm	4DC900160007AZI
		
x 2	x 2	x 2

ANGULAR

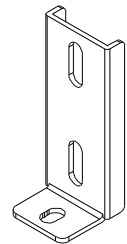
810016A 70 mm	810017A 80 mm	4DC900160007AZI
		
x 4	x 4	x 4

904545



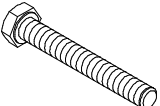


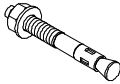
x 1

190007A



x 1

NUTS AND BOLTS KIT

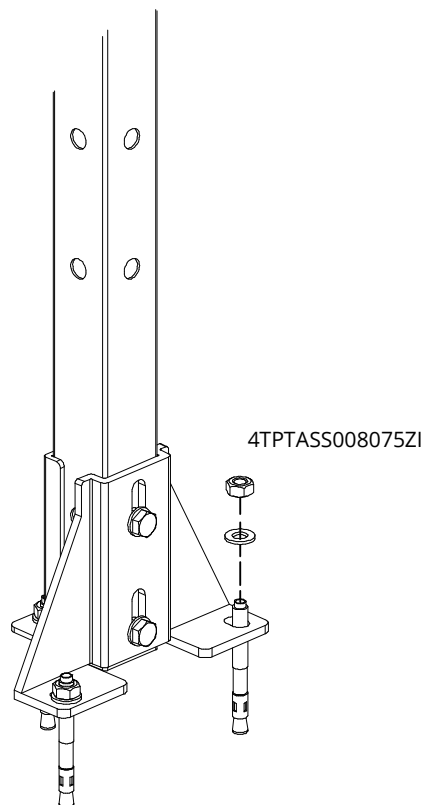
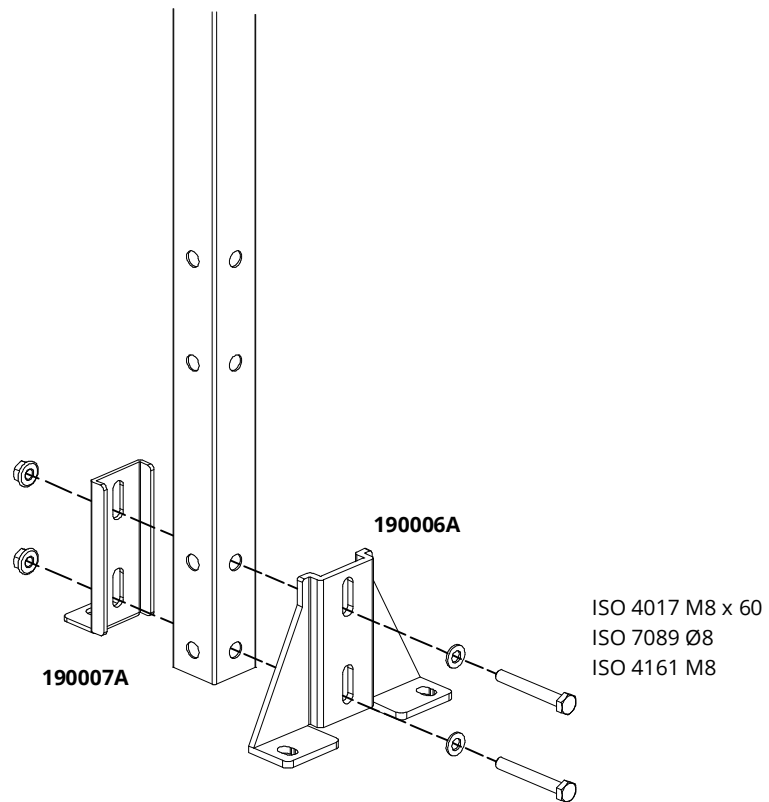
ISO 4017 M8 x 60	ISO 7089 Ø 8	ISO 4161 M8	4TPTASS008075ZI
			
x 2	x 2	x 2	x 3

TOOLS

	
13	13

Series **BASIC**

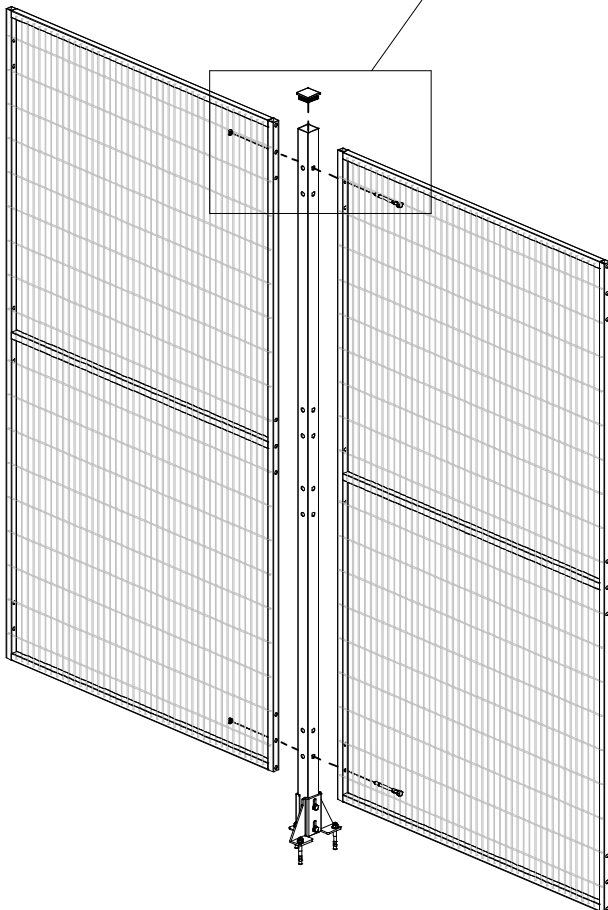
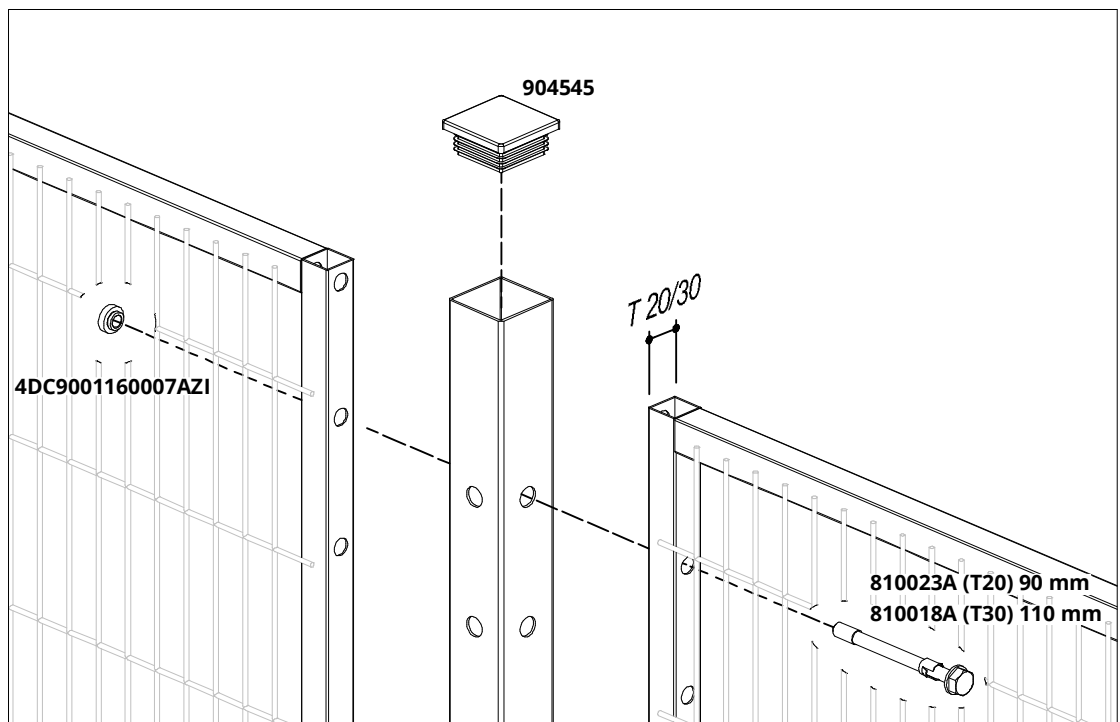
LAYOUT ASSEMBLY WITH CAPTIVE RETAINED SCREWS



Series **BASIC**

LAYOUT ASSEMBLY WITH CAPTIVE RETAINED SCREWS

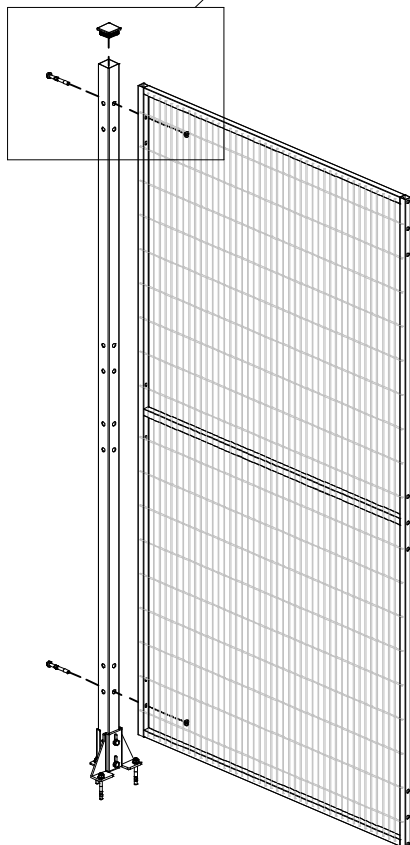
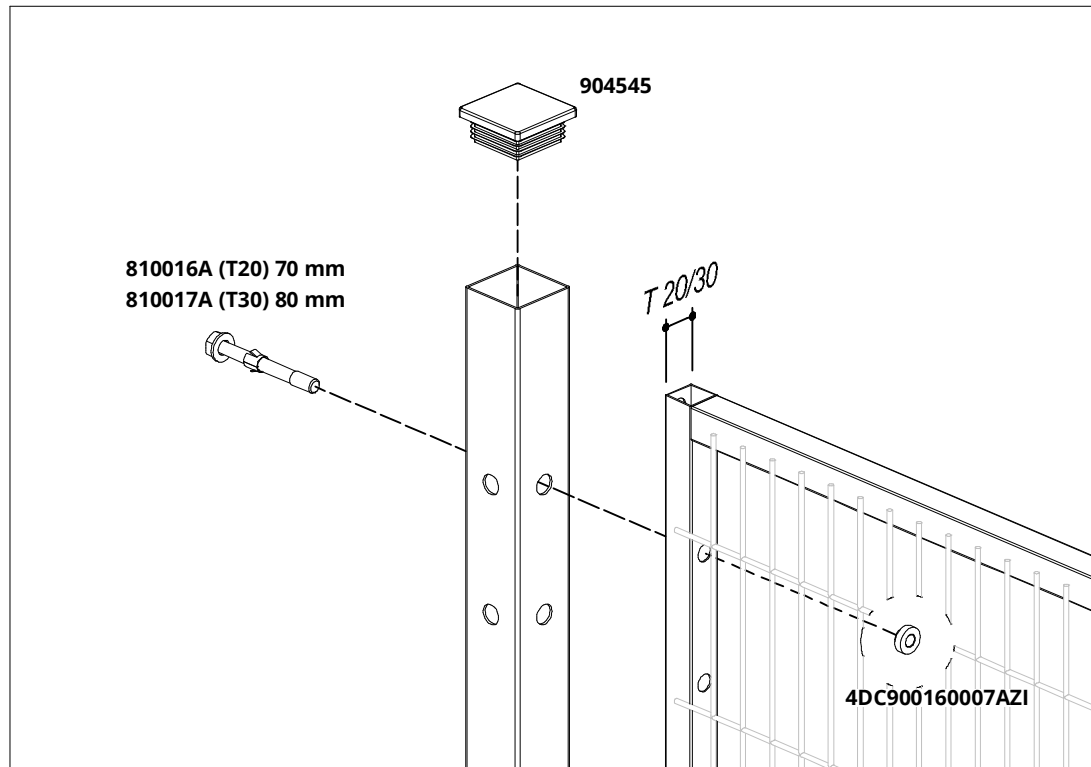
LINEAR



Series **BASIC**

LAYOUT ASSEMBLY WITH CAPTIVE RETAINED SCREWS

TERMINAL



Series **BASIC**

LAYOUT ASSEMBLY WITH CAPTIVE RETAINED SCREWS

ANGULAR

